



*u*Stream  
*Two*

## Bluetooth True Wireless Stereo Hi-Fi Speaker Set



# User Guide





**CE FC**



Conforms to UL STD 62368-1 & CSA STD C22.2 NO.62368-1

## A Thank You From Paul Mitchell

Thank you for deciding to purchase this Mitchell Acoustics product. It means a lot to me as I have worked hard and had many sleepless nights designing and developing it and I truly hope that it exceeds your expectations and that you enjoy using it.

This instruction manual will give you a general idea of how this device operates, as well as providing you with information on safety procedures and cleaning. In order to maintain this product in good condition and to ensure its safe operation, please take a few minutes to read and carefully follow all the safety and operating instructions found in this manual.

Please retain this instruction manual for future reference and pass it along with the device if handed over to a third party. Should you have any additional questions regarding the operation or installation of this device, or should any problems arise from its use, then please contact a specialised dealer or our service team for further information.

We assume no liability for any damage incurred as a result of improper use resulting from failure to comply with the safety instructions found in this manual. Under such circumstances all claims under warranty will become null & void. We assume no liability for any consequential damage!

This product is EMV-certified and complies with all European, US and other national guideline requirements. All the relevant testing has been carried out and certification has been received. A declaration of conformity can be found at the end of this manual.

For further information please visit [www.mitchellacoustics.co.uk](http://www.mitchellacoustics.co.uk).

Yours sincerely,



Paul Mitchell  
Founder & CEO  
Mitchell Acoustics Ltd



# Table of Contents

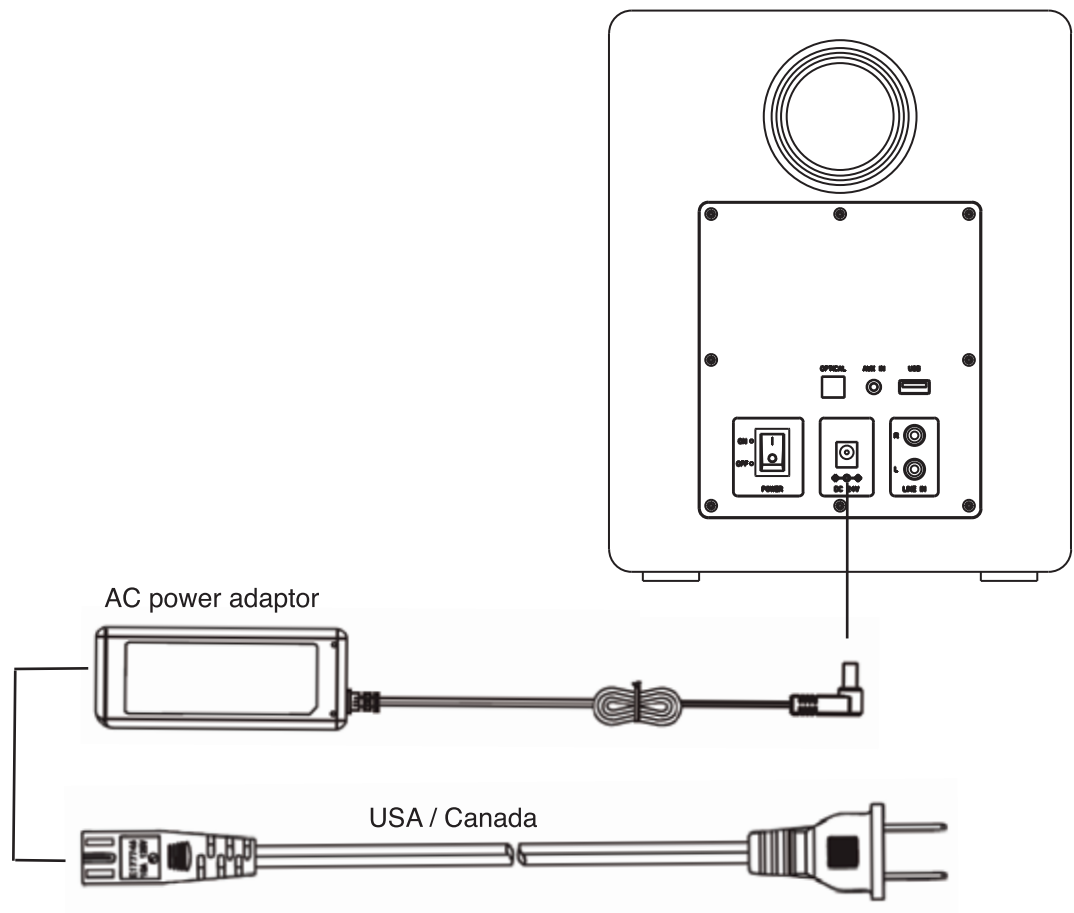
1	Quickstart Guide	7
2	Intended Use	9
3	Safety Information	10
4	In the Box	11
5	Description of Parts	12
6	Initial Setup	16
	Initial Positioning and Power On	16
	Connecting to a Smart Device to use as preferred sound source	16
	Adjusting the volume with remote control handset	17
	Connecting Other Devices	17
	Connection of Analog RCA Audio Cables	17
	Connection of Optical TOSLINK Cables	17
7	Disposal	18
8	Troubleshooting	19
9	Specifications	20
10	DECLARATION OF CONFORMITY	21

## Before use

Please read this instruction manual thoroughly before operating this device and retain it for further reference. Following and heeding all the information found in this instruction manual will maintain this product in good condition and ensure its safe operation. This instruction manual contains information on how to operate and maintain this device. Should a component require maintenance, servicing or repair, then please consult a qualified dealer or service technician.

# 1. Quickstart Guide

1. Find a suitable location for your uStream Two speakers. Make sure the surface is stable with enough space for the power cable to be connected.
2. Locate the 1 white boxes containing the AC power adaptors and cables.
3. Insert the power cable from the AC adaptor into the 24V socket on the rear panel of each speaker.



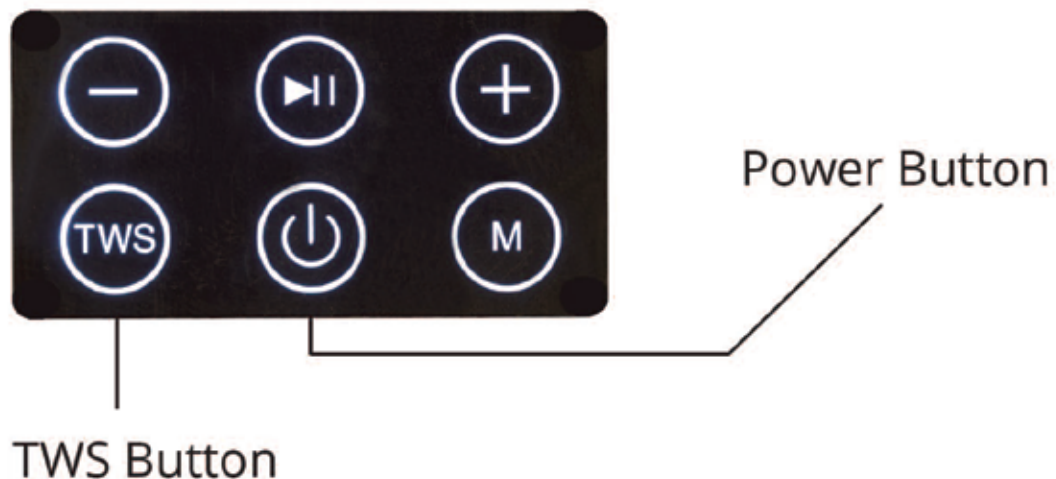
4. Plug one end of the power cable into the 2-pin socket on the AC power adaptor and the other end into a mains power socket.

Turn the power switch on the rear of the speaker to ON.

5. Position speakers.

PLEASE NOTE SWITCH THE LEFT SPEAKER ON FIRST. This will become Speaker 1.

Turn each speaker on by pressing the power button for 2 seconds. You will hear a voice response **'Power On'** to confirm, followed by the default mode, **'Bluetooth'**.



6. Once each speaker is powered on, press the TWS button on the **LEFT** speaker (not both). The voice response **'Connecting to speaker 2'** will be heard, followed a few seconds later by the voice command **'Speaker 2 connected'**
7. On the Bluetooth device you would like to connect to the speakers, look for 'uStream Two' on the list of available devices to connect to and select it. The voice command 'Connecting to Bluetooth..Bluetooth connected' will be heard.

**NOTE: if you are seeing more than one 'uStream Two' listed in the BT devices on your device it means Left and Right speakers are not connected to each other. Go back and follow the steps in 4. above.**

8. Any sounds playable on your phone will now come from the uStream Two speakers in STEREO.

**BEFORE USING REMOTE CONTROL PLEASE SEE PAGE 14.**

9. Use the supplied remote control handset (point it at the LEFT Speaker) to increase the volume to maximum. To do this you must repeatedly press the **'Vol +'** button on the remote. When maximum volume is reached you will hear a series of loud 'Beeps'.

Now you can use the volume control on your device to adjust the overall volume.



## 2. Intended Use

This device is an integrated active speaker designed to have various audio components or Bluetooth devices connected to its inputs.

**Please adhere to all of the safety information and instructions found in this instruction manual.**

# 3. Safety Information

The following safety and hazard warnings are not only for the protection of your device, but also serve as a protection against potential health hazards. Please take time to read the following instructions carefully.

**We assume no liability for personal or property damage resulting from the failure to comply with the safety instructions, or from improper operation or handling. Under such circumstances, all claims under warranty will become void**

- For safety and certification reasons any unauthorized modification and/or changes to the device is prohibited and will void the warranty and all warranty claims.
- Any persons operating, installing, setting up, or servicing this device must be trained and qualified accordingly, and observe these operating instructions.
- Ensure that the device has been set up correctly by following all the instructions found in the instruction manual
- Power supply cables should be routed so that they are not likely to be walked on, squashed or pinched by items placed upon or against them. Pay particular attention to cords at plugs, power outlets, and at the point at which they exit from the device. Avoid exposing the cable to extreme heat or cold. Ignoring the above mentioned instructions could result in cable damage and present the danger of an electric shock.
- In order to completely cut off the power supply to the device, unplug the power plug from the wall outlet. Merely turning the device off with the ON/OFF button is not sufficient. Also make sure that power outlets are easily accessible.
- Always pull on the plug's grips and never on the cable to remove it from a wall outlet. Unplug the device from the power outlet if not in use for a longer period of time.
- Never use the device, if the power cable or device is damaged.
- The speakers should never come into contact with water or moisture and no objects filled with liquids such as vases, should be placed on the speakers.
- Operate the speakers in a moderate climate and never expose them to extreme temperatures, such as high humidity.
- Make sure the speakers are placed on a firm and stable surface or mounted on suitable stands or mounting brackets.
- Please note that excessive sound pressure created when listening to loud volume levels for extended periods can lead to permanent hearing damage.
- Please adhere to the additional safety information found in the individual chapters of this instruction manual.
- When connecting other devices, please refer to the safety and operating instructions found in the literature accompanying the device.
- Clean only with dry cloth.
- Please contact us or a service technician for further information, should you be in doubt about device operation, safety or when making connections, or if any questions arise that are not explained within this manual.
- Contribute to a better environment by using a designated recycling site for the disposal of packaging material.

## Electromagnetic Interference

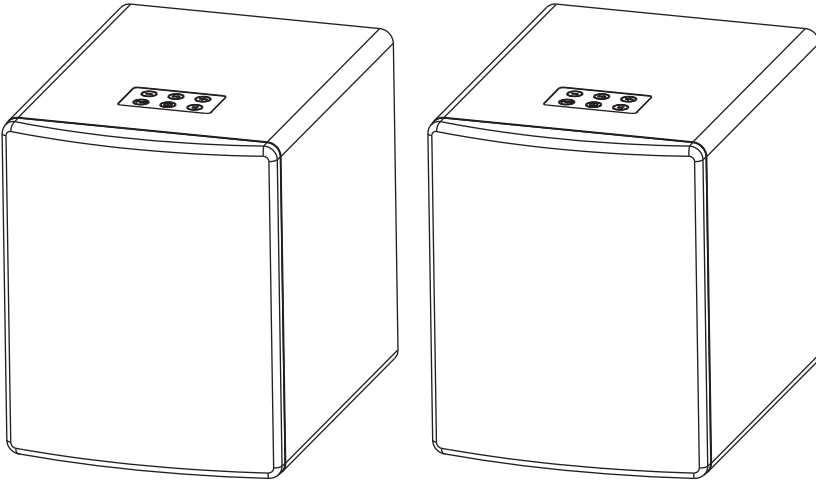
- The normal function of the product may be affected by strong electromagnetic interference from other devices. If so, simply reset the product to resume normal operation by following the user manual. If this fails it may be necessary use the speakers in a different location.

# 4. In the Box

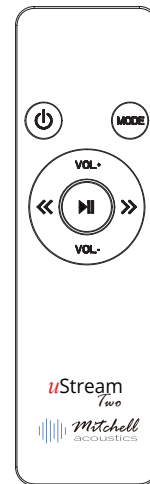
Here is what you will find in the box. The accessories can be found in 1 plain white boxes.

Please check all these parts are present before proceeding. Please inform your dealer if any part is missing or damaged.

2 x uStream Two Speakers



1 x Remote control handset



2 x Mains power cable



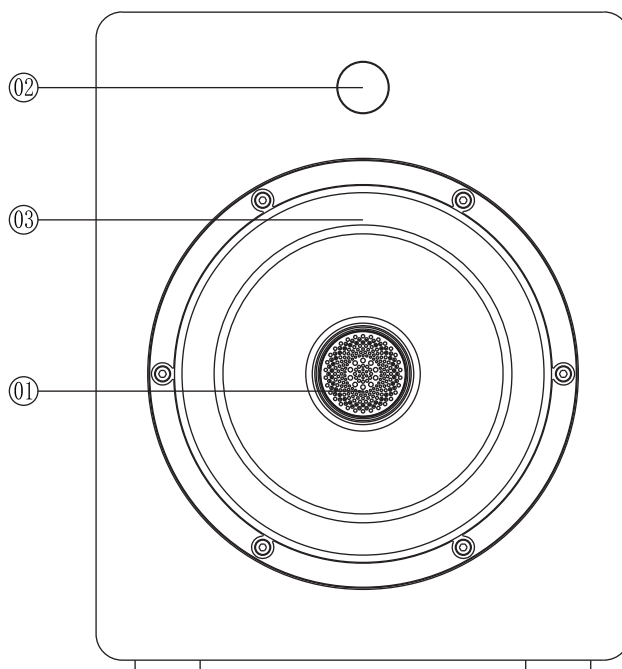
2 x AC Mains Adaptor (100-240V)



# 5. Description of Parts

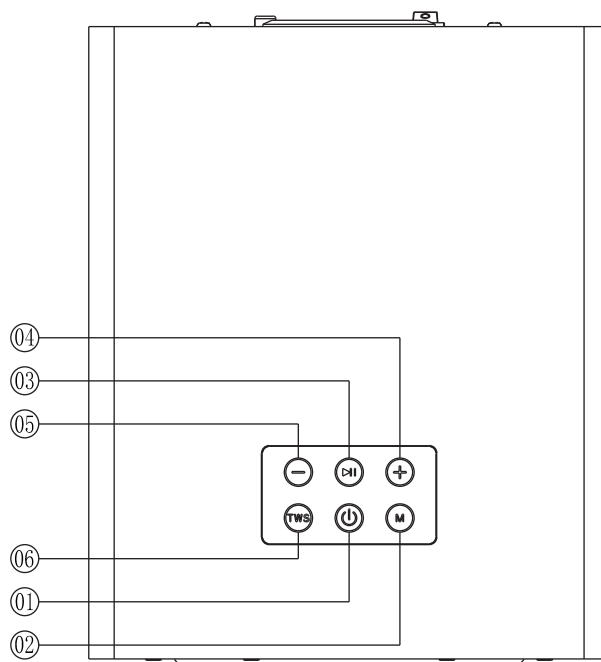
## FRONT

1. Tweeter (High frequency driver)
2. Remote Control Receiver
3. Woofer (Low Frequency driver)



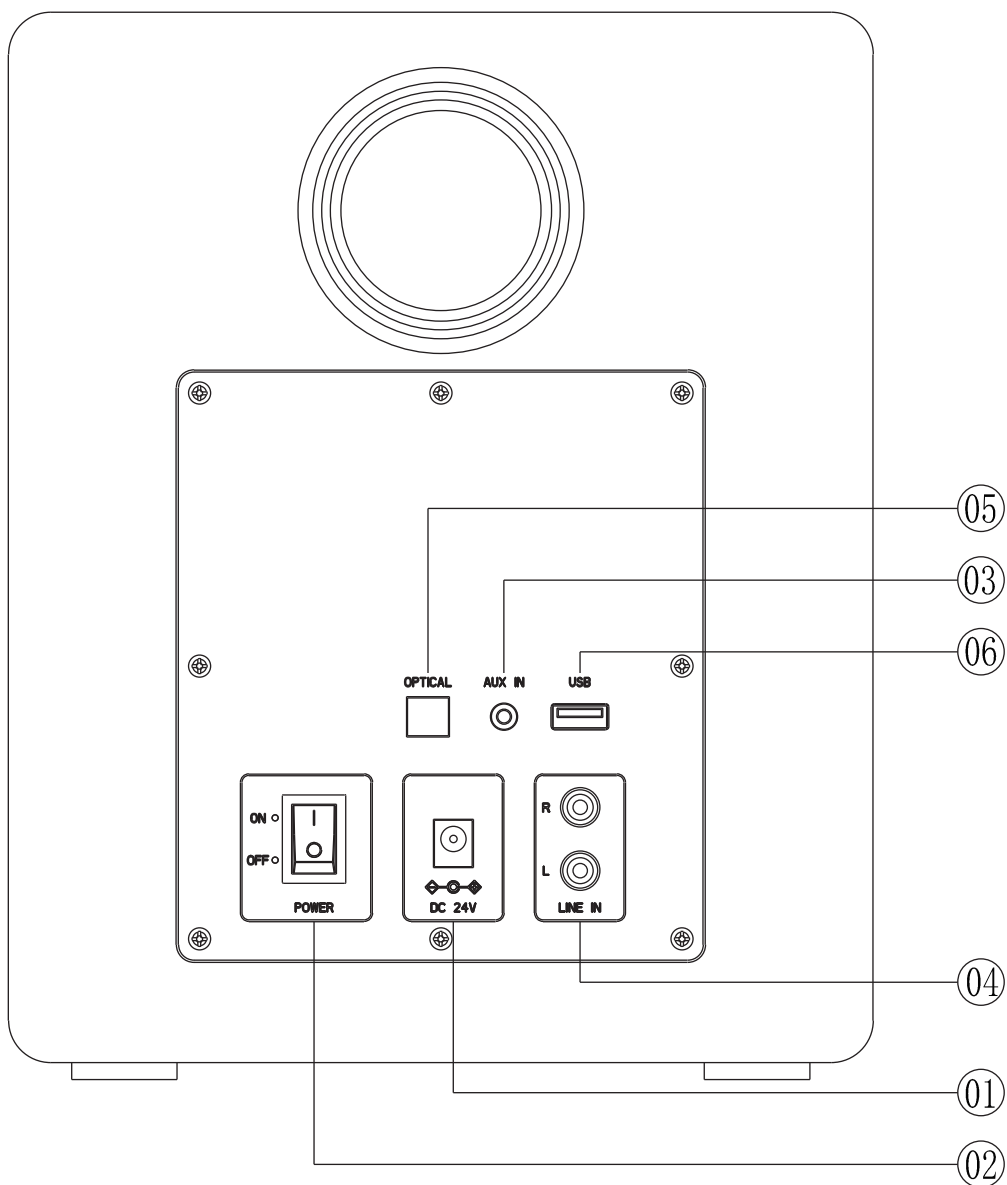
## TOP

1. Power button: press and hold for 2 seconds to turn on, press and hold for 5 seconds to turn off. (\*The unit will turn off automatically after 15 min if no signal input).
2. Mode Button: Press and hold for 2 seconds for option list, in a sequence of function is BLUETOOTH / AUX-IN / LINE-IN / OPTICAL. Each press is accompanied by a voice command confirming the mode.
3. Play/Pause button: Press and hold for 2 seconds to play the track, then press and hold for 2 seconds to pause the track. Press and hold for 5 seconds to disconnect BT connection.
4. Volume+/ Next Button: Long press to access the next track in the playlist. Short press to increase the volume.
5. Volume-/ Previous Button: Long press to access the last track in the playlist. Short press to lower the volume.
6. TWS button: Short press either one to connect the speakers, the unit will be automatically on TWS mode. (The units will automatically attempt to connect via TWS when powered on once initial setup has been done, so use of this button is only necessary if pairing ever fails due to repositioning the speakers)



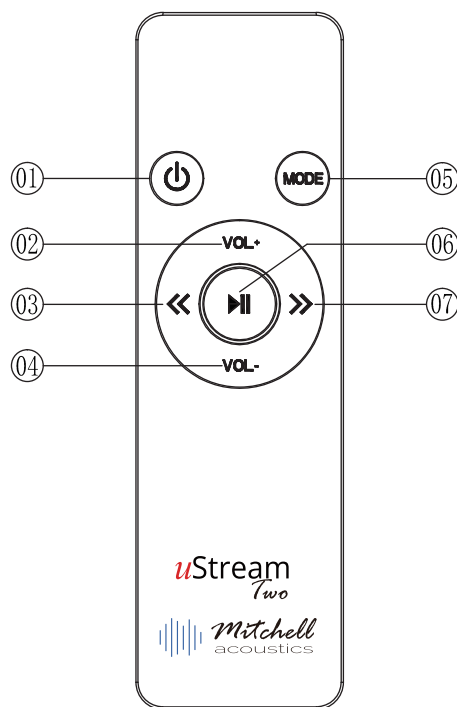
## REAR

1. DC in 24V 3A. Insert the round connector at the end of the AC adaptor cable.
2. Power On/Off switch
3. AUX IN 3.5mm stereo jack socket
4. RCA Left and Right stereo line input
5. OPTICAL IN for TOSLINK optical input
6. USB input



## Remote Control Handset

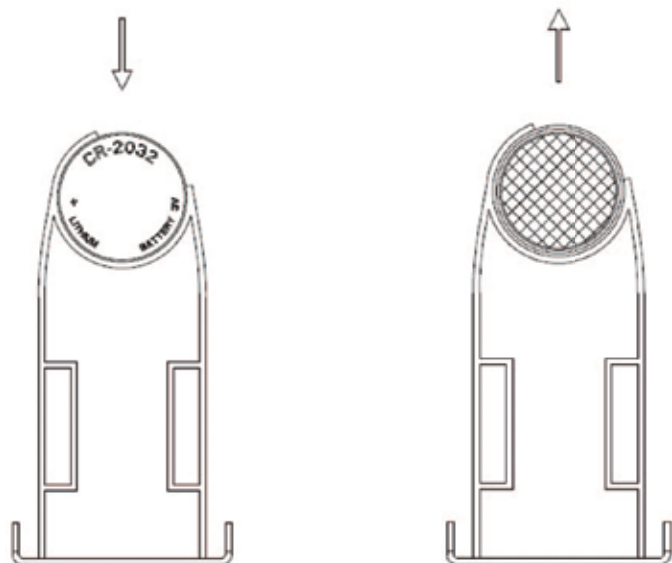
1. Power On from standby mode
2. Volume Up
3. Previous Track
4. Volume Down
5. Mode Changer
6. Play/Pause. Press and hold for 5 seconds to disconnect BT connection.
7. Next Track



## Remote Control Handset Battery

The remote control handset is supplied with a CR-2032 battery. However, it has been deliberately fitted in reverse to preserve the battery life before first use.

Remove the battery tray as indicated and remove the battery and replace with numbers facing down. Then replace the battery tray as indicated.



## Information on handling batteries

Please adhere to the following information when handling batteries and rechargeable batteries.


- Keep batteries out of children's reach.
- Never leave batteries lying around unsupervised. If swallowed these could pose a choking hazard to children and pets. Seek emergency medical care immediately, should this happen.
- Batteries are hazardous and do not belong in household waste.
- Ensure correct polarity when inserting batteries.
- Never expose batteries to extreme temperatures, such as sunlight, fire, ovens, etc. there is a risk of explosion!
- Make sure that batteries are not dismantled, short-circuited or are thrown into fire.
- Touching leaking or damaged batteries could cause skin burns. Use protective gloves suitable for handling such batteries.

# 6. Initial Set Up

## Power Connection

1. Quickstart Guide. Connect the relevant AC power cable to the supplied AC adaptor.
2. Connect the AC adaptor cable to the back of each device.
3. Connect the AC power cable to the mains supply.
4. Switch the power on via the on/off switch on the rear of each speaker.

## Initial Positioning and Power On

1. The LEFT speaker should be powered on FIRST and will always be Speaker 1.
2. Power on the speakers by pressing  on the top panel for 2 seconds.
3. Confirmation voice will be audible. 'Power on' with confirmation of mode.



## TWS (True Wireless Stereo) Connection

1. Make sure that the speakers do not have an active Bluetooth connection with a device. Turn off bluetooth on the device you intend to connect to the speakers before pairing the speakers to each other.
2. Press the "TWS" button on Speaker 1 (Left speaker) to initiate the automatic pairing mode between the two units. There is a voice confirmation '**Connecting to Speaker 2**' followed by '**Speaker 2 connected**'.

*NB: In True Wireless Stereo mode, only 'Speaker 1, LEFT' supports AUX / LINE IN / OPTICAL connections.*

*It is not necessary to complete the TWS steps above for each use. Once completed during initial setup, the speakers will automatically connect to each other.*

## Bluetooth Connection

1. Enable Bluetooth on the device you wish to connect. On your device's Bluetooth menu, look for 'uStream Two' and select it to connect. You will hear a voice command 'Connecting to Bluetooth'
2. You will hear a voice confirmation from the speaker to confirm connection. 'Bluetooth Connected'
3. You can now enjoy music from your device via any of your music apps and the sound should be in stereo from both speakers.

## Connecting to a Smart Device to use as preferred sound source

You can use the uStream Two as your preferred Bluetooth speaker with any smart home device such as an Amazon™ Echo or Google™ Home. This means you can use voice control to select what music to playback and listen in full stereo via your uStream Two speakers.

Follow the instructions via your smart devices app on your mobile device or visit [www.mitchellacoustics.co.uk](http://www.mitchellacoustics.co.uk) for more a detailed explanation.



## Adjusting the volume with remote control handset

Point the remote control at Speaker 1 (Left) and repeatedly press the **Volume +** button on the remote control handset. (Do not simply press and hold)

An audible beep will be heard when max volume is reached.

You can now use your device to adjust the volume up and down.

## Connecting Other Devices

You may wish to connect other devices to the uStream Two such as a TV, an external music player or a turntable.

There are 3 external auxiliary connections that can be used, but remember, they must be connected to **'Speaker 1'** in order to hear stereo sound from both speakers simultaneously.

The possible connections are:

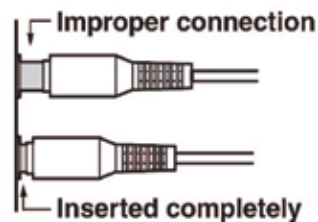
1. RCA left and right
2. 3.5mm stereo line in jack
3. Optical TOSLINK
4. USB input

### Connection of Analog RCA Audio Cables (Exclude)

Pay attention to the plug colours and the left and right channels when connecting RCA audio cables.

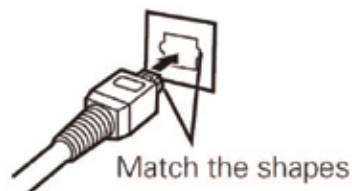


Ensure a good connection by making sure to insert plugs completely. Failure to insert fully can cause noise or malfunctions.



### Correct Connection of Optical TOSLINK Cables (Exclude)

The speakers contain a high quality optical input which works with most televisions via a standard TOSLINK cable. Make sure your television is set to output digital audio in PCM format. Refer to the user manual of your television for details. Be careful to match the shapes correctly on the optical cables.



# 7. Disposal



## **Disposing of the Packaging**

Sort the packaging before you dispose of it. Dispose of paper and cardboard with the recycled paper service and wrappings with the appropriate collection service.

## **Disposing of the Speakers**

Old appliances may not be disposed of in the household waste!

Should the speakers no longer be capable of being used at some point in time, dispose of them in accordance with the regulations in force in your city or county. This ensures that old appliances are recycled in a responsible manner and also rules out negative consequences for the environment.

## **Disposing of the Battery**

Batteries may not be disposed of with household waste!

As the end user you are required by law to bring all batteries, regardless whether they contain harmful substances\* or not, to a collection point run by the communal authority or to a retailer, so that they can be disposed of in an environmentally friendly manner.

\* labeled with: Cd = cadmium, Hg = mercury, Pb = lead

# RoHS

# 8. Troubleshooting

PROBLEM	POSSIBLE SOLUTION
No power when switched on at rear	<p>Wall socket not switched on or faulty            Plug not fully inserted into wall socket            Fuse in adaptor plug may have blown.            Internal mains fuse has blown inside the AC adaptor, (this will need to be replaced by a qualified service technician)            Fuse in household fuse box has blown or circuit has been tripped.</p>
No sound	<p>Power not turned on.            Volume setting too low.            No input audio equipment is connected or is faulty.            Correct audio input source not selected on top panel.</p>
No sound from one speaker	<p>Audio source input cables connected incorrectly or damaged.            TWS function not activated</p>
Buzzing or Humming from either speaker	<p>It is normal with Bluetooth audio for there to be a low level background noise when very low level audio is being played, like gaps in classical music.</p> <p>Audio connection cables are either damaged or not connected correctly</p>
Remote control not working	<p>Adjust the angle at which the remote control is pointed at the speaker.            Check if the battery has been inserted correctly.            Battery could be flat, replace to see.            Remove any objects found between the remote control and the remote sensor.            Make sure the distance between the remote control and the device does not exceed 5 m</p>
Buttons do not function (on the unit and/or remote control)	<p>Turn the unit off and then on again.            As an alternative, turn the unit off, unplug it from the power outlet and plug in again.</p>
I am experiencing dropouts on my RIGHT Speaker	<p>Devices such as microwaves, cordless phones, Bluetooth, mouse or Wi-Fi devices connected to 2.4GHz that run on the same frequency may cause interference and result in dropouts. Try to remove this type of device from the vicinity. You can also make use of network analyzer apps available on the market to check the network and interference status.</p>

# 9. Specification

<b>Rated Output Power (RMS)</b>	80 watts per channel
<b>THD (Total Harmonic Distortion)</b>	< 0.1 % (1 kHz 1 W)
<b>Frequency Range</b>	20 Hz-20 kHz
<b>Impedance</b>	<b>4 ohms</b>
<b>Signal to Noise Ratio</b>	>75dB
<b>Analog Inputs</b>	RCA L+R 3.5mm stereo mini-jack
<b>Digital Input</b>	TOSLINK Optical
<b>Bluetooth</b>	Action Technology V5.0 with True Wireless Stereo link between L+R speakers Bluetooth range approx. 33ft/10m
<b>Amplifier</b>	Texas Instruments TPA3116D2 Class D Digital Stereo Amplifier with AM Avoidance technology
<b>Speaker Drivers</b>	Woofer (low frequency) driver 6.5"/165.1mm CLARI-t Tweeter (high frequency) 1.5"/38mm driver CLARI-t
<b>Power Supply</b>	DC 24V 3A, AC adaptor 100-240V, 50/60 Hz
<b>Dimensions</b>	(W x H x D): 205 x 249 x 272mm 8 1/14" x 9 13/16" x 10 9/13"
<b>Weight</b>	5.3kg / 11lbs / 10.8oz each speaker
<b>Origin</b>	Precision engineered and manufactured in China

# 10. Declaration of Conformity

Mitchell Acoustics as manufacturer certifies that the following designated product

Mitchell Acoustics uStream Two Bluetooth Stereo Speakers  
are in full conformity with

**ErP Directive** 2009/125/EC

Commission Regulation: (EC) No. 1275/2008 (EU) No. 801/2013

Test Standard EN 50564:2011

**RoHS** directive 2011/65/EU and the amendment directive (EU) 2015/863

## **EMC**

ETSI EN 301 489-1 V2.2.3 (2019-11), ETSI EN 301 489-17 V3.2.4 (2019-09),

EN 55032:2015+A11:2020, EN 55035:2017+A11:2020,

EN 61000-3-2:2019, EN 61000-3-3:2013+A1:2019

The designated products were subject to sample testing for which

**RED (Radio Equipment Directive) 2014/53/EU**

EN 62479:2010, EN 62368-1:2014+A11:2017, EN 301 489-1 V2.2.3,

EN 301 489-17 V3.2.4, EN 3000 328 V2.2.2

**LVD** (Low Voltage Directive) 2014/35/EU

Shenzhen NTEK Testing Technology Co., Ltd

1/F, Building E, Fenda Science Park, Sanwei Community, Xixiang Street,  
Bao'an District, Shenzhen 518126 P.R.China.

issued test reports numbered:

S20051301901001, S20051301902001, S20051301907001, S20051301908001

And therefore the products comply with the essential requirements and the provisions of the EU Directives.

## **RoHs**

Mitchell Acoustics has a policy of appointing independent 3<sup>rd</sup> party specialists to advise on manufacturing to ensure that manufacturing partners comply with product material content testing; seeking confirmation from suppliers that materials meet the RoHs standards, and have remedial and replacement programs in place, and that manufacturers have procedures in place for identifying, segregating and replacing compliant from non-compliant materials

The declaration is the sole responsibility of the manufacturer / importer.

The reports are held on file at :-

Mitchell Acoustics Limited

Turner House, 9-10 Mill Lane, Alton, Hants GU34 2QG UNITED KINGDOM

Date: 15<sup>th</sup> Dec 2022

Signed:



Paul Mitchell - Director

## **FCC Statement**

This equipment has been tested and found to comply with the limits for a Class B digital device, pursuant to Part 15 of the FCC Rules. These limits are designed to provide reasonable protection against harmful interference in a residential installation. This equipment generates, uses and can radiate radio frequency energy and, if not installed and used in accordance with the instructions, may cause harmful interference to radio communications. However, there is no guarantee that interference will not occur in a particular installation. If this equipment does cause harmful interference to radio or television reception, which can be determined by turning the equipment off and on, the user is encouraged to try to correct the interference by one of the following measures:

Reorient or relocate the receiving antenna.

Increase the separation between the equipment and receiver.

Connect the equipment into an outlet on a circuit different from that to which the receiver is connected.

Consult the dealer or an experienced radio/TV technician for help.

This device complies with Part 15 of the FCC Rules. Operation is subject to the following two conditions:

1. This device may not cause harmful interference, and
2. This device must accept any interference received, including interference that may cause undesired operation.<sup>10</sup>

## **FCC Radiation Exposure Statement**

This device complies with FCC radiation exposure limits set forth for an uncontrolled environment and it also complies with Part 15 of the FCC RF Rules. This equipment must be installed and operated in accordance with provided instructions and the antenna(s) used for this transmitter must be installed to provide a separation distance of at least 20 cm from all persons and must not be co-located or operating in conjunction with any other antenna or transmitter. End-users and installers must be provided with antenna installation instructions and consider removing the no-collocation statement.

The device meets the exemption from the routine evaluation limits in section 2.5 of RSS 102 and compliance with RSS-102 RF exposure, users can obtain Canadian information on RF exposure and compliance.

The device for operation in the band 5150-5250 MHz is only for indoor use to reduce the potential harmful interference to co-channel mobile satellite systems.

For devices with detachable antenna(s), the maximum antenna gain permitted for devices in the band 5725-5850 MHz shall be such that the equipment still complies with the e.i.r.p. limits specified for point-to-point and non-point-to-point operation as appropriate.

CAUTION! Any changes or modifications not expressly approved by the party responsible for compliance could void the user's authority to operate the equipment.

## **IC Statement**

This device complies with Industry Canada's licence-exempt RSSs. Operation is subject to the following two conditions:

1. This device may not cause interference; and
2. This device must accept any interference, including interference that may cause undesired operation of the device.

This transmitter must not be co-located or operating in conjunction with any other antenna or transmitter. This equipment should be installed and operated with a minimum distance of 20 centimeters between the radiator and your body.

## **IC Radiation Exposure Statement**

This equipment complies with IC RSS-102 radiation exposure limits set forth for an uncontrolled environment. This equipment should be installed and operated with a minimum distance of 20 cm between the radiator and any part of your body.

## **UL Statement**

The AC power adaptor has been tested and found to conform to UL standard 62368-1

## **CSA Statement**

The AC power adaptor complies with as is certified to CSA standard C22.2 No:62368-1





[www.mitchellacoustics.co.uk](http://www.mitchellacoustics.co.uk)  
[www.mitchellacoustics.us](http://www.mitchellacoustics.us)