

*u*StreamTT1



Belt-Drive Bluetooth Turntable



User Guide  
*Mode d'emploi*


# Important Safety Instruction

1. Read these instructions – All the safety and operating instructions should be read before this product is operated.
2. Keep these instructions – The safety and operating instructions should be retained for future reference.
3. Heed all warnings – All warnings on the appliance and in the operating instructions should be adhered to.
4. Follow all instructions – All operating and use instructions should be followed.
5. Do not use this apparatus near water – The appliance should not be used near water or moisture – for example, in a wet basement or near a swimming pool, and the like.
6. Clean only with dry cloth.
7. Do not block any ventilation openings. Install in accordance with the manufacturer's instructions.
8. Do not install near any heat sources such as radiators, heat registers, stoves, or other apparatus (including amplifiers) that produce heat.
9. Protect the power cord from being walked on or pinched particularly at the plugs, convenience receptacles, and at the point where they exit from the apparatus.
10. Only use attachments/accessories specified by the manufacturer.
11. Use only with the cart, stand, tripod, bracket, or table specified by the manufacturer, or sold with the apparatus. When a cart is used, use caution when moving the cart/apparatus combination to avoid injury from tip-over.
12. Unplug the apparatus during lightning storms or when unused for long periods of time.
13. Refer all servicing to qualified personnel. Servicing is required when the apparatus has been damaged in any way, such as power supply cord or plug is damaged, liquid has been spilled or objects have fallen into the apparatus has been exposed to rain or moisture, does not operate normally, or has been dropped.
- 14.




- This lightning flash with arrowhead symbol within an equilateral triangle is intended to alert the user to the presence of non-insulated “dangerous voltage” within the product’s enclosure that may be of sufficient magnitude to constitute a risk of electric shock.


- a. Warning: To reduce the risk of electric shock, do not remove cover (or back) as there are no user-serviceable parts inside. Refer servicing to qualified personnel.
- b. The exclamation point within an equilateral triangle is intended to alert the user to the presence of important operating and maintenance instructions in the literature accompanying the appliance.

15.  This equipment is a Class II or double insulated electrical appliance. It has been designed in such a way that it does not require a safety connection to electrical earth.
16. The mains plug is used as disconnect device, the disconnect device shall remain readily operable.
17. **WARNING:** To reduce the risk of fire or electric shock, do not expose this apparatus to rain or moisture. The apparatus shall not be exposed to dripping or splashing and that no objects

filled with liquids, such as vases, shall not be placed on apparatus.

18. The use of the equipment in moderate climate.
19. **WARNING:** Please refer the information on exterior bottom enclosure for electrical and safety information before installing or operating the apparatus.
20. The ventilation should not be impeded by covering the ventilation openings with items such as newspaper, table-cloths, curtains etc.
21. No naked flame sources, such as lighted candles, should be placed on the apparatus.
22. Do not install this equipment in a confined space such as a book case or similar unit.
23. The symbol with  Indication AC voltage.



24.  Correct Disposal of this product. This marking indicates that this product should not be disposed with other household wastes throughout the EU.
  - To prevent possible harm to the environment or human health from uncontrolled waste disposal, recycle it responsibly to promote the sustainable reuse of material resources.
  - To return your used device, please use the return and collection systems or contact the retailer where the product was purchased. They can take this product for environmental safe recycling.

# Precautions

Safety Information-caution:

1. In order to shut off power to this product completely, unplug the power cord from the wall outlet. Be sure to unplug the unit if you do not intend to use it for an extended period of time, such as during a vacation.
2. Use of controls, adjustments and performance of procedures other than those specified herein may result in hazardous radiation exposure.
3. To prevent electric shock, match wide blade of plug to wide slot, fully insert.
4. If this product is experience problems during operation, contact qualified service centers, and do not use the product in defective states.

Safety Precautions

**WARNING:**

To reduce the risk of fire or electric shock, do not expose this appliance to rain or moisture.

**CAUTION:**

Use of controls or adjustments or performance of procedures other than those specified may result in hazardous radiation exposures.

**CAUTION**

**RISK OF ELECTRIC SHOCKS - DO NOT OPEN!**

To reduce the risk of electric shock, do not remove cover or back.

No user serviceable parts inside. Refer servicing to qualified service personnel.

The light flash with arrowhead symbol, within an equilateral triangle, is intended to alert user to the presence of non-insulated “dangerous voltage” within the product’s enclosure that may be of sufficient magnitude to constitute risk of electric shock to persons.

The exclamation point within an equilateral triangle is intended to alert user to the presence of important operating and maintenance (servicing) instructions in the literature accompanying the appliance.

(See markings on the back of the unit.)

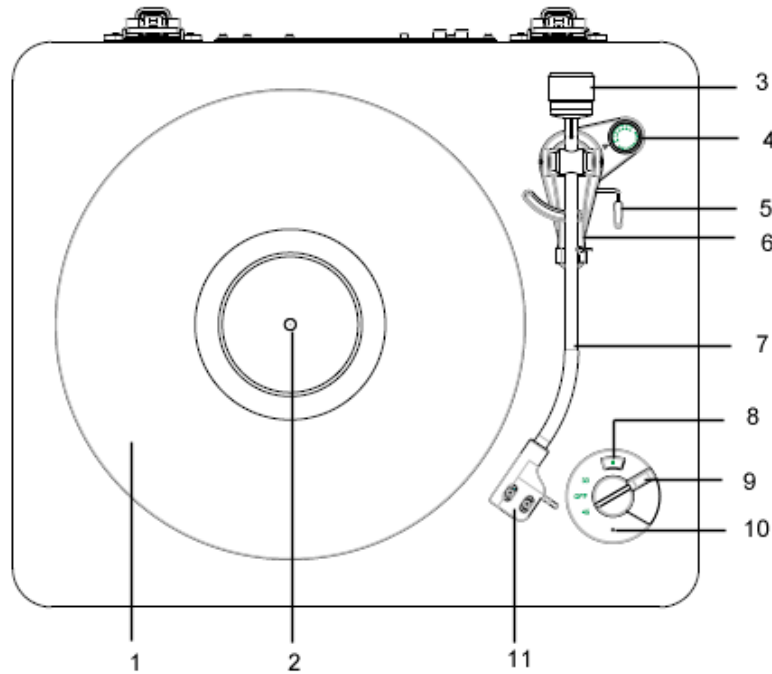


**Before Use**

1. Choose unit installation location carefully. Avoid placing it in direct sunlight or close to a source of heat. Also avoid locations subject to vibrations and excessive dust, cold or moisture. Keep away from sources that hum, such as transformers or motors.
2. Do not open the cabinet as this may result in damage to the circuitry or electrical shock. If a foreign object should get into the set, contact Customer Service.
3. Be sure not to handle record with dirty fingers. Never play a record that has a crack on the surface.
4. When removing the power plug from the wall outlet, always pull directly on the plug, never pull the cord.
5. To protect the stylus, don't forget to put on the white protective needle cover after use.
6. Do not attempt to clean the unit with chemical solvents as this might damage the finish. Use a clean, dry cloth.
7. In order to shut off the power to this product completely, unplug the power cord from the wall outlet. Be sure to unplug the unit if you do not intend to use it for an extended period of time, such as a vacation.
8. Keep this manual in a safe place for future reference.

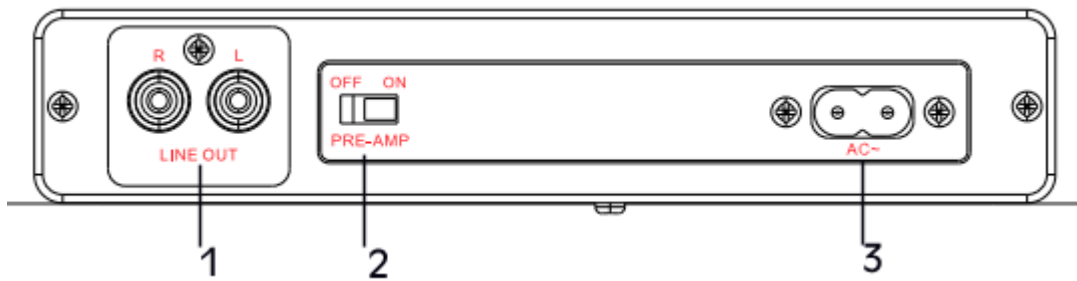
# Product Overview

## Top view



#	ITEM	DESCRIPTION
1	Turntable	Aluminum alloy turntable.
2	Spindle	Place a record onto the spindle to play.
3	Counterweight	Turn to adjust the needle pressure.
4	Anti-skate control	Turn to adjust the inward tracking forces that occur with certain pick-up when the stylus nears the center of the record.
5	Tone arm lifter	Push forward and pull back to raise and lower tone arm.
6	Tone arm rest holder	Place the tone arm on this holder when not in use.
7	Tone arm	Holds the stylus that produces sound from the record.
8	* Bluetooth pairing button	Press to open Bluetooth transmitting. The white Bluetooth indicator slowly flash. Wait for 5 seconds, press again to start Bluetooth pairing. Your turntable pairs to audio devices (such as Bluetooth speakers, headphones, and receivers). The white Bluetooth indicator quickly flash. When the turntable paired with a Bluetooth speaker, the white indicator lights solid.
9	RPM selector switch	Turn to select the record type (33 or 45) or OFF to turn off your turntable.(The default OFF)
10	Status indicator	Bluetooth standby: white light slowly flash Bluetooth pairing: red and white light quickly flash. Bluetooth paired: white light solid. Bluetooth pairing failed: red light solid.
11	Stylus	Generates sound from a playing record.

## Rear view



#	ITEM	DESCRIPTION
1	Line out jack	Plug the included RCA cable into this jack. Make sure red to red and white to white.
2	PRE-AMP ON/OFF switch	Ensure pre-amp switch is switched to "ON" for "LINE IN" connection. For "PHONO ON" connection pre-am switch would be switched to "OFF". Improper setting of PRE-AMP switch will lead to no sound or explosive sound.
3	AC power jack	Plug the AC power cord into this jack and into a power outlet.

## Setting up your turntable

You need to install the turntable before you can use it.

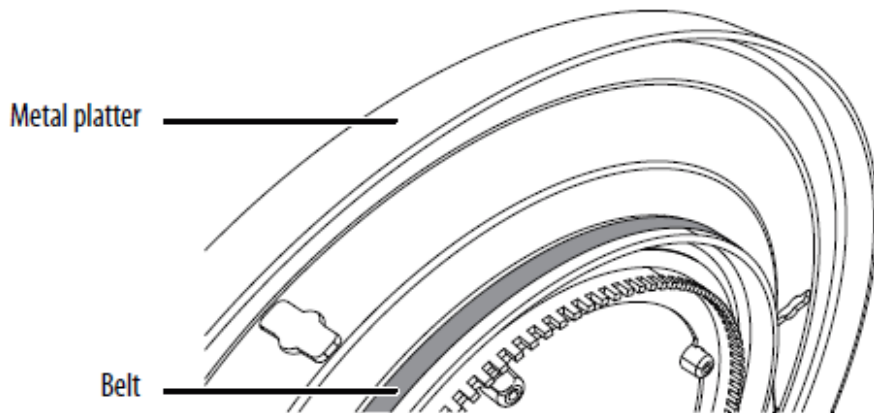
1. Take the accessories out of the packing case and check that the accessories are in complete and good condition.

#	Accessory	Quantity
1	RCA cable	1 pcs
2	Power cable	1 pcs
3	Counterweight	1 pcs
4	45 RPM adapter	1 pcs
5	Turntable mat	1 pcs
6	Two belts	2 pcs (one installed and one spare)
7	User guide	

2. Install the metal platter (the belt is preinstalled on the bottom of the metal platter) and a turntable mat on the metal platter.
3. Install dust cover.
4. Attach and adjust the counterweight.
5. Carefully remove the tape. Too much force will damage the cover and stylus.

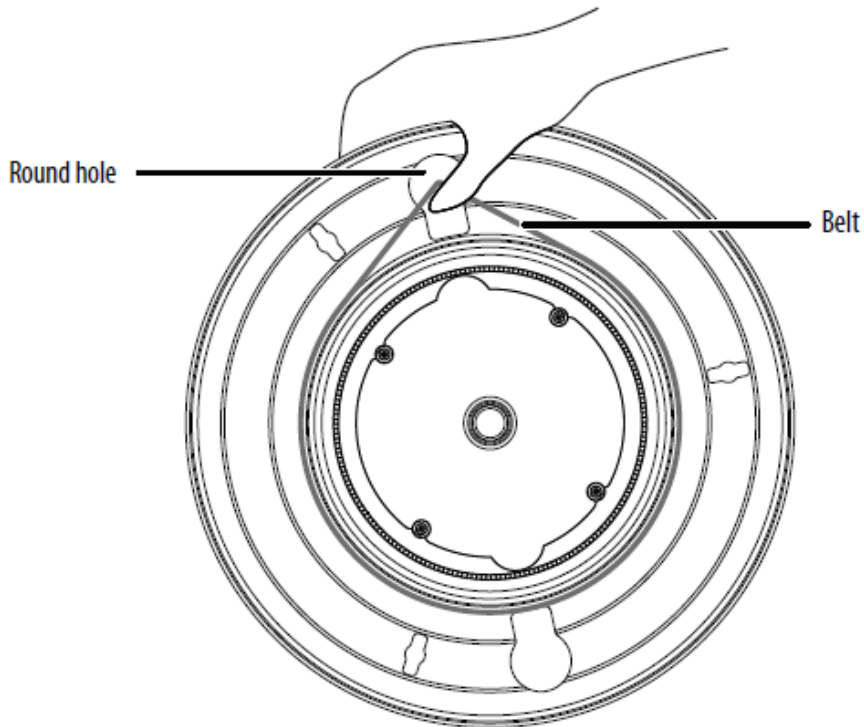
## Installing the platter and turntable mat

**Note:** The belt is preinstalled on the bottom of the metal platter.



1. Make sure that the belt is not twisted, then use your thumb to stretch the belt until it reaches the round hole in the platter.

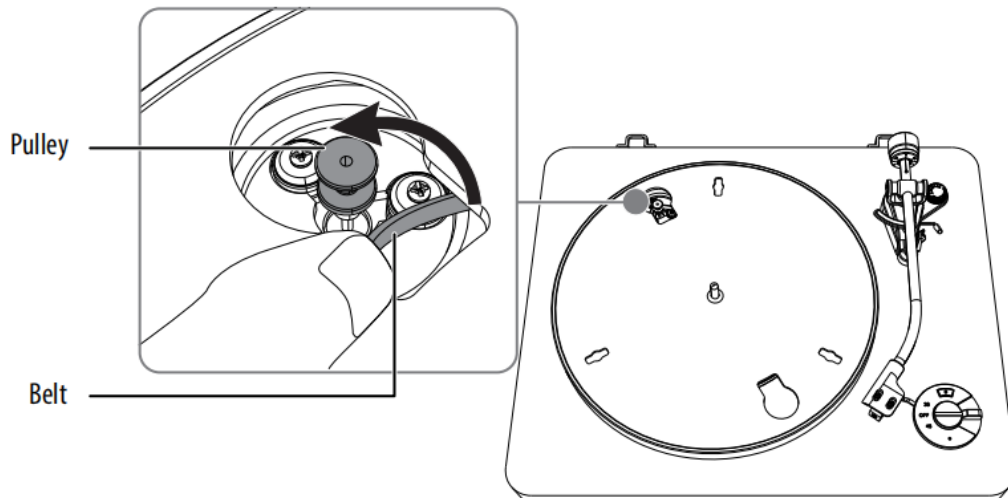
**Note:** Make sure that you place the belt on the metal track and not on the section with teeth.



2. Still holding the belt, flip the platter over, then insert the platter onto the spindle in the center of your turntable.



3. Align the round hole in the platter with the pulley and use your finger to hook the belt onto the pulley.

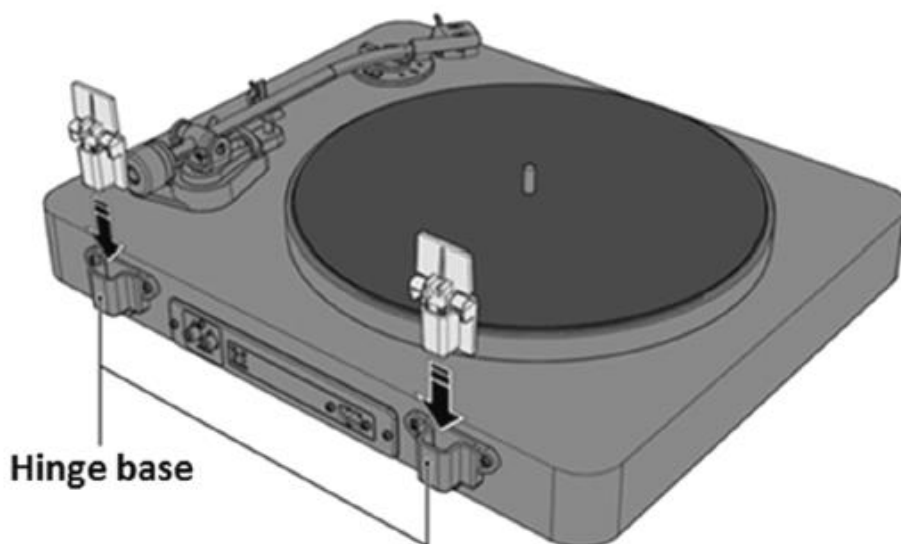


4. Place the turntable mat on the platter.

**Note:** When you want to take out the platter from the turntable, remove the mat first, then grasp the platter and pull it upward. This is especially important if you are shipping your turntable to prevent the platter from shaking.

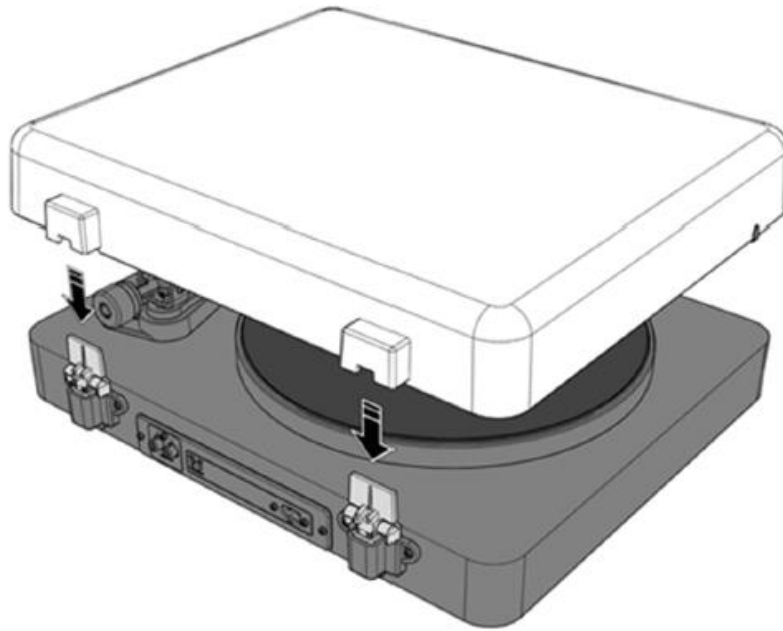
## Install dust cover

1. Insert the dust cover hinges into the hinge bases on the back panel of the unit.



2. Hold the dust cover and insert it into the hinges.

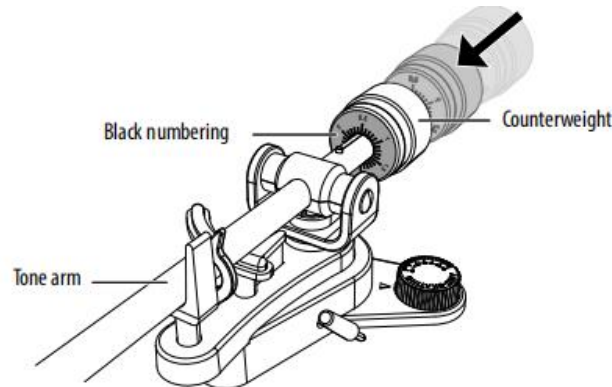
**Note:** To remove the dust cover, grasp the two sides of the dust cover and slowly lift upward to remove the dust cover together with hinges.



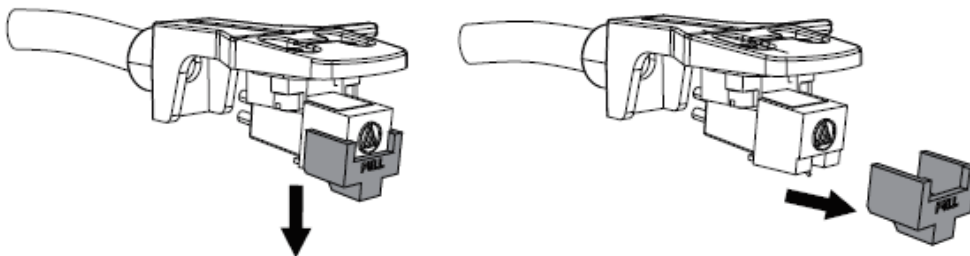
## Attaching and adjusting the counterweight

The counterweight on the tone arm adjusts the needle pressure. If the pressure is too much, sound is distorted. If the pressure is too little, track skipping happens more frequently.

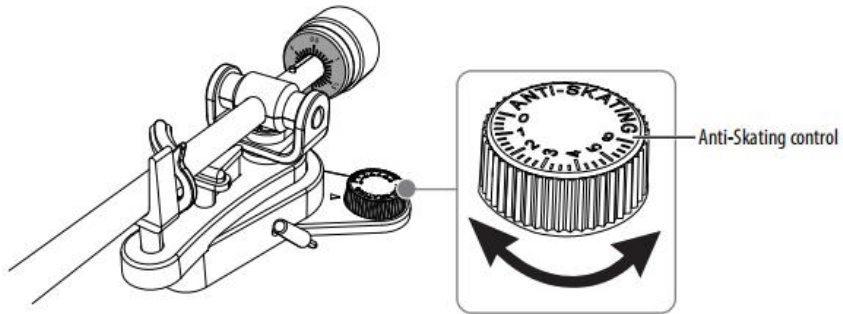
1. Hold the counterweight with the black number ring on the counterweight towards you, and then slightly push the counterweight into the end of tone arm. When you hear the second click from the pogo pin on the tone arm, the counterweight has been installed correctly.



2. Remove the stylus cover.

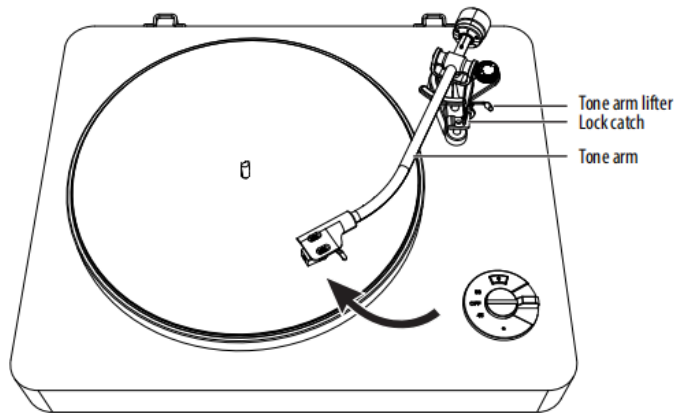


3. Set the **Anti-Skating** control to **0** (zero).

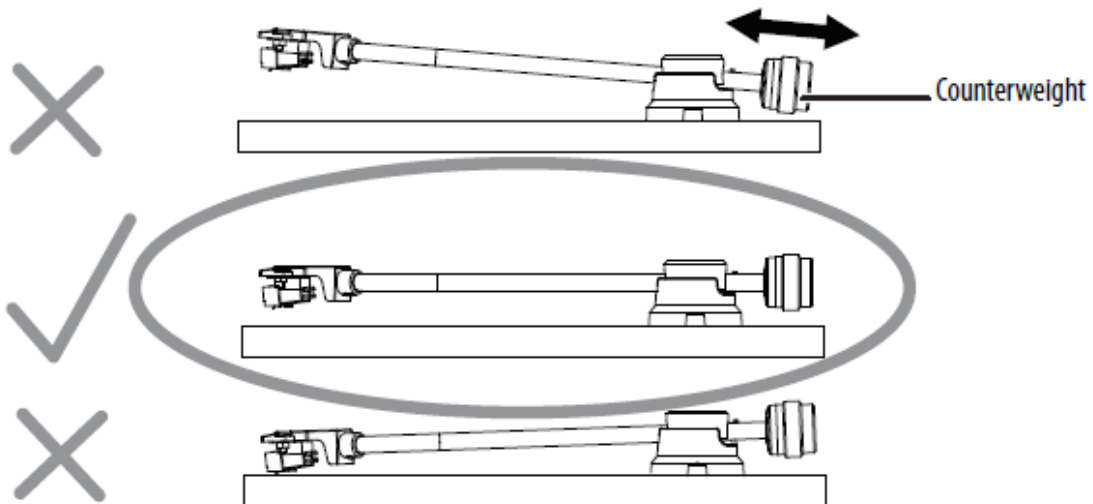


4. Release the lock catch, push the tone arm lifter forward so that the tone arm leaves the base, then push the tone arm left to the position above the turntable.

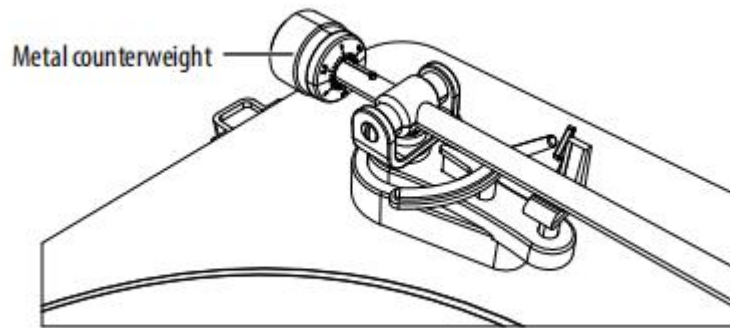
**CAUTION:** Make sure that the needle does not contact any part of your turntable.



5. Turn the counterweight so that the tone arm is horizontal. You can move the counterweight forward or backward on the tone arm.

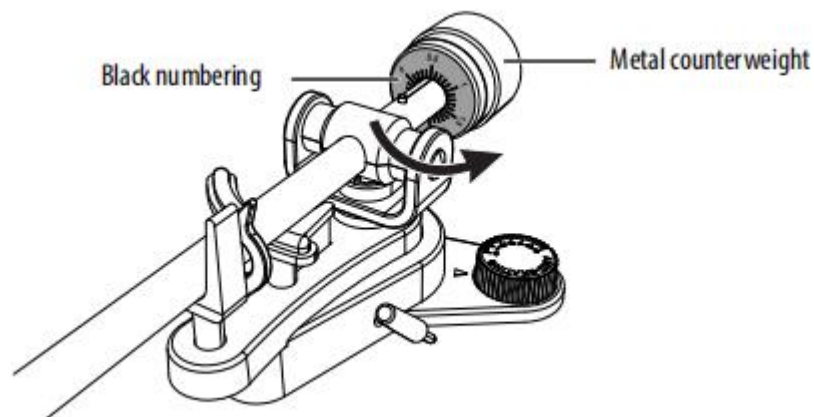


6. Hold the metal counterweight at the back of the tone arm.

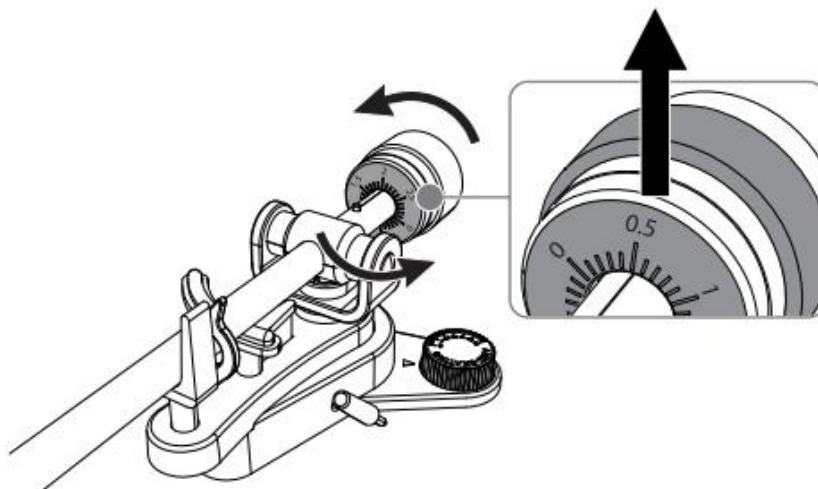


7. Hold the metal counterweight to keep it from moving, and then carefully rotate the front black number ring so that 0 is in the 12 o'clock position.

**Note:** Do not turn the metal counterweight. The black number ring turns separately.



8. Hold both the metal counterweight and black number ring together. Rotate them counter-clockwise one full circle, then set the ring to 0.5 so that 0.5 on the dial is in the 12 o'clock position. This sets the tone arm to  $3.5 \pm .5$  grams of downward force (the recommended tracking weight) for this needle.



## Using your turntable

Plug one end of the power cord into the AC power jack on the back of the turntable, and then plug the other end into a power outlet.

Note:

1. We strongly recommended that you operate your turntable only from the type of power source indicated on the marking label.
2. To prevent interference, avoid bundling the audio signal cables together with the AC power cord.
3. The top cover helps prevent dust from settling on your turntable. We recommend that you use the top cover when you're playing records or when you're not using your turntable.

## Playing a record

1. Gently open the dust cover.

**Note:** Be careful not to pinch your finger when opening or closing the dust cover.

2. Place a vinyl record on the turntable.

**Note:** When playing a 45 RPM record, use the included 45 RPM adapter.

3. Select the appropriate speed by turning the RPM selector switch to 33 or 45.
4. Remove the tone arm-rest lock catch to release the tone arm.
5. Push the tone arm lifter forward to raise the tone arm.
6. Gently push the tone arm to the left over the turntable.
7. Push the tone arm lifter backward to lower the tone arm so that the stylus touches the record and starts to play.
8. To pause or stop playing, push the tone arm lifter forward to raise the tone arm.

**Note:** When the end of the record is reached, the tone arm and rotation stop.

9. When playing is completed, push the tone arm lifter forward to raise the tone arm, and then move the arm back to the tone arm rest. Push the tone arm lifter down to lower the tone arm.

**Notes:**

1. Closing the top cover helps prevent dust from settling on the turntable.
2. Always relock the tone arm clip before transporting your turntable.
3. Do not place anything on top of the turntable cover, especially while playing a record.

1. Turn the switch to your record type, 33 or 45.
2. Put your Bluetooth speaker in pairing mode by making sure no other device is connected via Bluetooth..

**Note:** Make sure that Bluetooth is off on any devices in the vicinity that will automatically connect to your speaker.

3. On the turntable, press and hold the (Bluetooth pairing) button for two seconds to turn the Bluetooth transmitter on. White Bluetooth indicator light blinks slowly.
4. Wait for 5 seconds, press the Bluetooth button again to search for your Bluetooth speaker. While searching, the Bluetooth indicator will flash quickly. When connected successfully, the Bluetooth indicator lights solid.

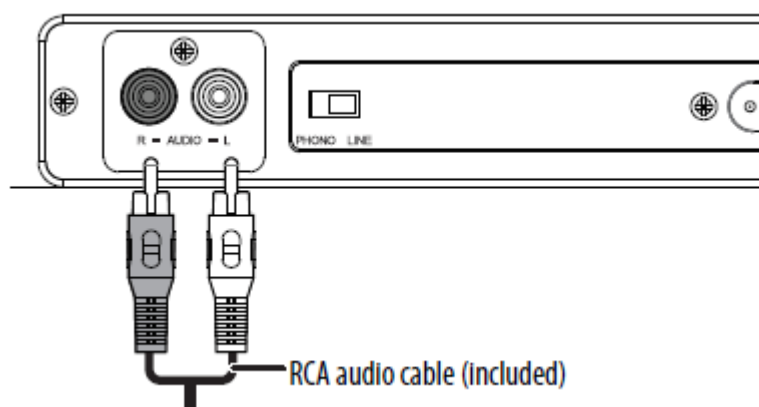
**Notes:**

2. The effective distance between your Bluetooth device and your turntable is 33 ft. (10m).
3. Make sure that you remove any obstacle between your Bluetooth speaker and your turntable to make sure that the sound is clear.

5. To reset Bluetooth, press and hold the button for 10 seconds until the status indicator lights turn off.

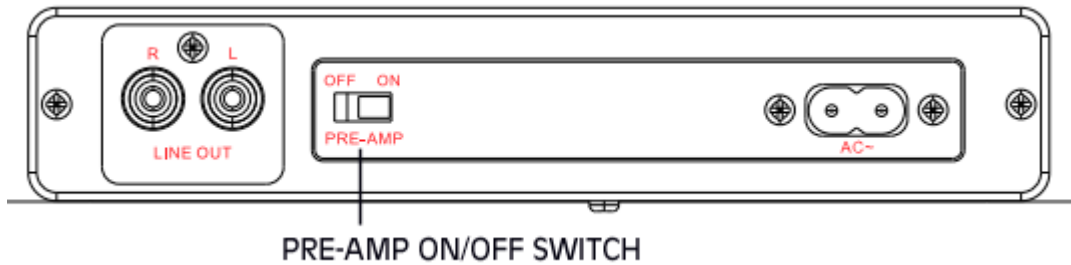
## Listening to music through the Line out jacks

1. Plug the red and white connectors on the included RCA cable into the **Line out** jack on the back of your turntable, red to red and white to white.



2. Plug the other end of the cable into your speakers, red to right speaker and white to left speaker.

3. Toggle the PRE-AMP ON/OFF switch to select the output mode.



Connected device	Switch position
Device with PHONO input	OFF
Device without PHONE input	ON

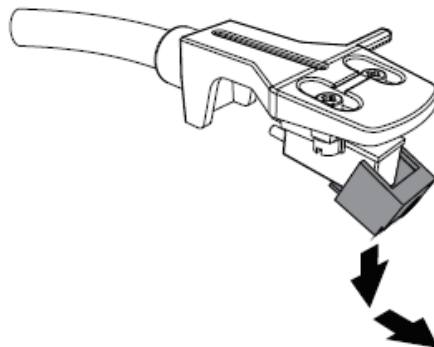
**Note:**

1. Improper setting of PRE-AMP ON/OFF switch will lead to no sound or explosive sound.
2. Adjust the volume of the external speaker when using the RCA cable.

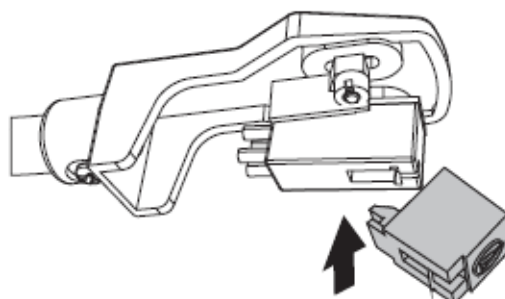
## Replacing the stylus

The stylus should last about 300 hours under normal use. However, it is recommended that the stylus be replaced as soon as you notice a change in sound quality. Prolonged use of a worn-out stylus may damage the record.

1. Turn the RPM selector switch to OFF to turn off the power.
2. Remove the stylus by pulling it downward and forward at the same time.



3. Insert the new stylus upwards into the slot under the head, then push upward until the tip locks into place.



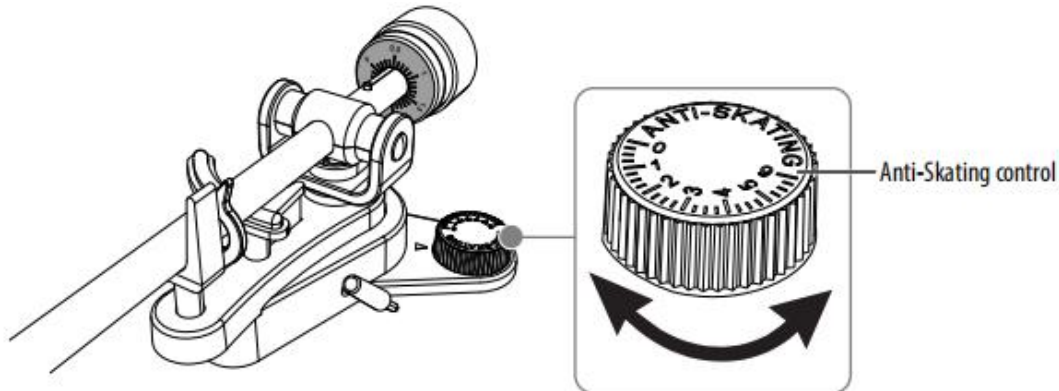
**CAUTIONS:**

1. Do not remove or bend the stylus.
2. Do not touch the needle to avoid injury your hand.
3. Keep out of reach of children.

**Adjusting the anti-skating control**

When a record is playing, a small inward force (might cause skating) pull the tone arm towards the center of the record. To counteract this inward force, you can adjust the anti-skating control to apply an outward force (anti-skating).

Normally you should set anti-skating compensation to its minimum setting. If the turntable is experiencing excessive skipping while nearing the center spindle, try increasing the anti-skating. Start by adding an increment of 1, and then test its performance. If needed, you can increase and test by one increment at a time.

**Notes:**

1. When you adjust the **Anti-Skating** knob, leave the tone arm and balance weight alone to prevent damaging the stylus needle.
2. If a record can't playback entire tracks, we recommend you reset the anti-skating control to **0** (zero).
3. In case of substantial use of back-cueing, scratching, or reverse-direction operation, you may prefer to use less, or no, anti-skate compensation.

**Enjoying your sound experience**

Needle pressure impacts your sound experience and is controlled by the counterweight. You can adjust it to fit your personal preference. Reduce it to bring out rich bass in your music selections or increase it to bring out higher frequencies. See Attaching and adjusting the counterweight.

**Note:**

After adjusting the counterweight, you may need to adjust the anti-skating force. See Adjusting the anti-skating control.



## Specification:

### GENERAL

Power Requirements .....	AC 230 V ~ 50 Hz
Power Consumption.....	5 W
Dimensions (W x H x D).....	43.9cm x 35.5cm x 13.4cm (approx.)

### BLUETOOTH TRANSMIT

Bluetooth Version.....	Bluetooth V4.2
Bluetooth Profiles.....	A2DP, AVRCP
Bluetooth Frequency range.....	2.402GHz-2.480GHz
Operating Distance.....	10 meters (33 ft.)

### RECORD PLAYER section

Motor.....	DC servo motor
Drive System.....	Belt Drive
Speeds.....	33-1/3 rpm, 45 rpm,
Wow Flutter .....	Less than 0.25% (WTD)
S/N Ratio.....	55 dB
Cartridge Type.....	Moving Magnetic Cartridge
RCA OUT.....	200-280 mV (5 cm/sec at 1 KHz-10dB)
Phono out.....	3-4mv ((5 cm/sec at 1 KHz-10dB)

## DECLARATION OF CONFORMITY

Mitchell Acoustics as manufacturer certifies that the following designated product  
Mitchell Acoustics uStream TT1 Vinyl Turntable  
Is in full conformity with

**ErP Directive** 2009/125/EC

Commission Regulation: (EC) No. 1275/2008 (EU) No. 801/2013

Test Standard EN 50564:2011

**RoHS** directive 2011/65/EU and the amendment directive (EU) 2015/863

**EMC**

ETSI EN 301 489-1 V2.2.3 (2019-11) (Draft) ETSI EN 301 489-17 V3.2.4 (2020-09),  
EN55032:2015+A1:2020, EN 55035:2017+A11:2020, EN IEC 61000-3-  
2:2019+A1:2021 and EN 61000-3-3:2013+A2:2021, ETSI EN 300 328 V2.2.2 (2019-07), EN  
62479:2010, EN 50663:2017

The designated products were subject to sample testing for which

**RED (Radio Equipment Directive) 2014/53/EU**

EN 55032:2015+A1:2020, EN 55035:2017+A11:2020, EN IEC 61000-3-2:2019+A1:2021, EN  
61000-3-3:2013+A2:2021, ETSI EN 301 489-1 V2.2.3 (2019-11), ETSI EN 301 489-17 V3.2.4 (2020-  
09), ETSI EN 300 328 V2.2.2 (2019-07), EN 62479:2010, EN 50663:2017, EN IEC 62368-  
1:2020+A11:2020

STC (Dongguan) Company Limited

68 Fumin Nan Road, Dalang, Dongguan, Guangdong, China. Zip Code: 523770

issued test reports numbered:

DM22080081, DM22080082, DM22080083, DM22080084, DE22080123

And therefore the products comply with the essential  
requirements and the provisions of the EU Directives.

### RoHS

Mitchell Acoustics has a policy of appointing independent 3<sup>rd</sup> party specialists to advise on manufacturing to ensure that manufacturing partners comply with product material content testing; seeking confirmation from suppliers that materials meet the RoHS standards, and have remedial and replacement programs are in place, and that manufacturers have procedures in place for identifying, segregating and replacing compliant from non-compliant materials

The declaration is the sole responsibility of the manufacturer / importer.

The reports are held on file at :-

Mitchell Acoustics Limited

Turner House, 9-10 Mill Lane, Alton, Hampshire GU34 2QG UNITED KINGDOM

Date: 15<sup>th</sup> Sept 2022

Signed:



Paul Mitchell - Director

---

### Mitchell Acoustics Limited

Clover Top Office, Nup End, Old Knebworth, Hertfordshire SG3 6QJ UNITED KINGDOM TEL: +44 (0)203 582 4777

Unit 1105-06, 11/F, 106, How Ming Street, Kwun Tong, Kowloon, Hong Kong. Tel: +852 2882 4966

HONG KONG TEL: +86 138-0288-1201

Company registered in the United Kingdom number: 11438199

## Troubleshooting guide

In case of trouble with the unit, please look through below and see if you can solve the problem by yourself before calling your dealer.

Problem	Solution
My turntable doesn't turn on	<ul style="list-style-type: none"> <li>• Make sure that the power cord is connected to your turntable and a working power outlet.</li> </ul>
My turntable is working, but I can't hear the record playing.	<ul style="list-style-type: none"> <li>• The device does not have a built-in speaker. Make sure your turntable is connected to an external audio device (using Bluetooth connection or RCA cable connection).</li> </ul>
I don't hear sound from the speakers.	<ul style="list-style-type: none"> <li>• Increase the volume on the external device.</li> <li>• If you are using the RCA jacks, make sure that the RCA cable is connected correctly and securely.</li> </ul>
The sound is noisy.	<ul style="list-style-type: none"> <li>• Turn off appliances (like a TV) near your turntable.</li> <li>• Move your turntable farther away from nearby appliances.</li> </ul>
My turntable is on, but doesn't respond.	<ul style="list-style-type: none"> <li>• Remove the power cord and all power supply devices, wait one minute, and then plug your turntable back into the power outlet.</li> </ul>
The sound is noisy when I use my turntable for a period of time.	<ul style="list-style-type: none"> <li>• Replace the stylus.</li> </ul>
A record doesn't fit on the spindle.	<ul style="list-style-type: none"> <li>• Make sure that the record is a 33 or 45 RPM record. Your turntable doesn't play 78 RPM records.</li> <li>• If you playing a 45 RPM record, use the included 45 RPM adapter.</li> </ul>
My turntable won't pair with a Bluetooth speaker.	<ul style="list-style-type: none"> <li>• Press and hold the (Bluetooth pairing) button for two seconds to make sure that your turntable is switched to transmitting mode.</li> <li>• Make sure that your Bluetooth speaker is turn on and in Bluetooth pairing mode. See the instructions that came with your Bluetooth speaker.</li> <li>• Move your Bluetooth speaker closer to your turntable.</li> </ul>
Bluetooth pairing failed.	<ul style="list-style-type: none"> <li>• Make sure that your Bluetooth speaker is not connected to another Bluetooth device. If it is connected to another device, turn off the device or delete the Bluetooth connection name from your speaker's list of devices.</li> <li>• Make sure that your Bluetooth speaker uses BQB-certified receive.</li> </ul>
Bluetooth can't reconnect	<ul style="list-style-type: none"> <li>• Press and hold the (Bluetooth pairing) button for 10 seconds, turn your turntable off, then turn it back on and restart pairing normally.</li> </ul>
There is no sound after a successful Bluetooth connection.	<ul style="list-style-type: none"> <li>• Ensure the record is playing properly. The stylus is working.</li> <li>• Check that the volume switch on the paired Bluetooth speaker is on and adjust to the appropriate volume.</li> </ul>

*u*StreamTT1



Platine Vinyle Bluetooth à entraînement à courroie



Mode d'emploi


# Consignes de Sécurité Importantes


1. Lisez ces instructions – Toutes les instructions de sécurité et d'utilisation doivent être lues avant d'utiliser ce produit.
2. Conservez ces instructions – Les instructions de sécurité et d'utilisation doivent être conservées pour référence future.
3. Tenez compte de tous les avertissements – Tous les avertissements sur l'appareil et dans le mode d'emploi doivent être respectés.
4. Suivez toutes les instructions – Toutes les instructions de fonctionnement et d'utilisation doivent être suivies.
5. N'utilisez pas cet appareil près de l'eau - L'appareil ne doit pas être utilisé près de l'eau ou de l'humidité - par exemple, dans un sous-sol humide ou près d'une piscine, etc.
6. Nettoyez uniquement avec un chiffon sec.
7. Ne bloquez aucune ouverture de ventilation. Installer conformément aux instructions du fabricant.
8. Ne l'installez pas à proximité de sources de chaleur telles que des radiateurs, des bouches de chaleur, des cuisinières ou d'autres appareils (y compris des amplificateurs) produisant de la chaleur.
9. Protégez le cordon d'alimentation contre les piétinements ou les pincements, en particulier au niveau des fiches, des prises de courant et au point de sortie de l'appareil.
10. Utilisez uniquement les pièces jointes/accessoires spécifiés par le fabricant.
11. Utilisez uniquement avec le charriot, le support, le trépied, le support, ou la table spécifié par le fabricant, ou vendu avec l'appareil. Lorsqu'un charriot est utilisé, soyez prudent lorsque vous déplacez la combinaison d'appareils pour éviter les blessures en cas de renversement.
12. Débranchez l'appareil pendant les orages ou lorsqu'il n'est pas utilisé pendant de longues périodes.
13. Confiez l'entretien du produit à du personnel qualifié. Une réparation est nécessaire lorsque l'appareil a été endommagé de quelque manière que ce soit, comme le cordon d'alimentation ou la prise est endommagé, du liquide a été renversé ou des objets sont tombés dans l'appareil a été exposé à la pluie ou à l'humidité, ne fonctionne pas normalement ou a chuté.
- 14.




- Ce symbole d'éclair avec une pointe de flèche dans un triangle équilatéral est destiné à alerter l'utilisateur de la présence d'une "tension dangereuse" non isolée dans le boîtier du produit qui peut être d'une amplitude suffisante pour constituer un risque de choc électrique.

- a. Avertissement : Pour réduire le risque d'électrocution, n'ôtez pas le couvercle car il ne contient aucune pièce réparable par l'utilisateur. Confiez l'entretien à du personnel qualifié.
- b. Le point d'exclamation dans un triangle équilatéral est destiné à alerter l'utilisateur de la présence d'importantes instructions d'utilisation et d'entretien dans la documentation accompagnant l'appareil.

15.  Cet équipement est un appareil électrique de classe II ou à double isolation. Il a été conçu de manière à ne pas nécessiter de connexion de sécurité à la terre.
16. La fiche secteur est utilisée comme dispositif de déconnexion, le dispositif de déconnexion doit rester facilement utilisable.

- 17. AVERTISSEMENT :** Pour réduire le risque d'incendie ou d'électrocution, n'exposez pas cet appareil à la pluie ou à l'humidité. L'appareil ne doit pas être exposé aux gouttes ou aux éclaboussures et aucun objet rempli de liquide, tel que des vases, ne doit être placé sur l'appareil.
- 18.** L'utilisation de l'équipement en climat tempéré.
- 19. AVERTISSEMENT :** Veuillez consulter les informations sur l'extérieur du boîtier inférieur pour les informations électriques et de sécurité avant d'installer ou d'utiliser l'appareil.
- 20.** La ventilation ne doit pas être entravée en recouvrant les ouvertures de ventilation avec des objets tels que des journaux, des nappes, des rideaux, etc.
- 21.** Aucune source de flamme, telle que des bougies allumées, ne doit être placée sur l'appareil
- 22.** N'installez pas cet équipement dans un espace confiné tel qu'une bibliothèque ou un meuble similaire.
- 23.** Le symbole  indique la tension AC.



- 24.**  Recyclage correct de ce produit. Ce marquage indique que ce produit ne doit pas être jeté avec les autres déchets ménagers dans toute l'UE.
- Pour éviter d'éventuels dommages à l'environnement ou à la santé humaine dus à une élimination incontrôlée des déchets, recyclez-les de manière responsable afin de promouvoir la réutilisation durable des ressources matérielles.
  - Pour retourner votre appareil usagé, veuillez utiliser les systèmes de retour et de collecte ou contacter le revendeur où le produit a été acheté. Ils peuvent prendre ce produit pour un recyclage sans danger pour l'environnement.

# Précautions

Information de sécurité - Important :

1. Pour couper complètement l'alimentation de ce produit, débranchez le cordon d'alimentation de la prise murale. Assurez-vous de débrancher l'appareil si vous n'avez pas l'intention de l'utiliser pendant une période prolongée, comme pendant des vacances.
2. L'utilisation de commandes, de réglages et l'exécution de procédures autres que celles spécifiées ici peuvent entraîner une exposition à des rayonnements dangereux.
3. Pour éviter les chocs électriques, faites correspondre la prise de terre de la fiche à la prise de terre de la prise d'alimentation, puis insérez-la complètement.
4. Si ce produit rencontre des problèmes pendant son fonctionnement, contactez un des centres de service qualifiés. N'utilisez pas le produit dans des états défectueux.

Précautions de sécurité

## **ATTENTION :**

Pour réduire le risque d'incendie ou de choc électrique, n'exposez pas cet appareil à la pluie ou à l'humidité.

## **MISE EN GARDE :**

L'utilisation de commandes ou de réglages ou l'exécution de procédures autres que celles spécifiées peuvent entraîner des expositions à des rayonnements dangereux.

---

## **MISE EN GARDE**

### **RISQUE DE CHOCS ELECTRIQUES – NE PAS OUVRIR !**

Pour réduire le risque de choc électrique, ne retirez pas le couvercle ou le dos de l'appareil.

Aucune pièce réparable par l'utilisateur à l'intérieur. Confiez l'entretien à du personnel qualifié.

---

Le flash lumineux avec le symbole de pointe de flèche, dans un triangle équilatéral, est destiné à alerter l'utilisateur de la présence d'une "tension dangereuse" non isolée dans le boîtier du produit qui peut être d'une amplitude suffisante pour constituer un risque de choc électrique pour les personnes.

Le point d'exclamation dans un triangle équilatéral est destiné à alerter l'utilisateur de la présence d'opérations et de maintenance importantes et des instructions (d'entretien) dans la documentation accompagnant l'appareil.



(Voir les marquages au dos de l'appareil.)

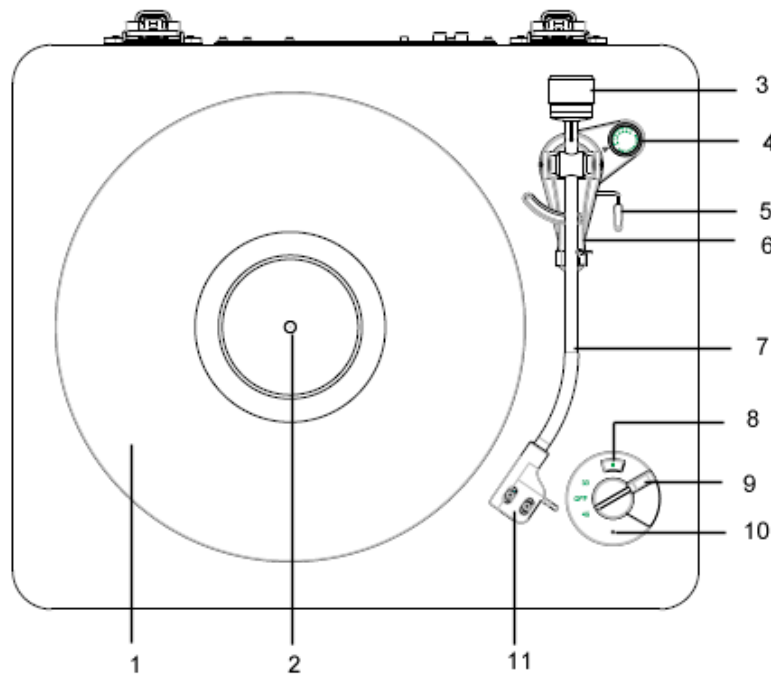
### **Avant utilisation**

1. Choisissez soigneusement l'emplacement d'installation de l'appareil. Evitez de le placer en plein soleil ou à proximité d'une source de chaleur. Evitez également les endroits soumis à des vibrations et à une poussière excessive, au froid ou à l'humidité. Eloignez-vous des sources qui bourdonnent, comme les transformateurs ou les moteurs.
2. N'ouvrez pas le boîtier car cela pourrait endommager les circuits ou provoquer une électrocution. Si un objet étranger devait pénétrer dans l'appareil, contactez le Service Client.
3. Assurez-vous de ne pas manipuler le disque avec les doigts sales. Ne jamais lancer la lecture d'un disque dont la surface serait fissurée.
4. Lorsque vous débranchez la fiche d'alimentation de la prise murale, tirez toujours directement sur la fiche, jamais sur le cordon.
5. Afin de protéger le Stylus, n'oubliez pas de remettre la protection blanche après utilisation.
6. N'essayez pas de nettoyer l'appareil avec des solvants chimiques car cela pourrait endommager la finition. Utilisez un chiffon propre et sec.
7. Pour couper complètement l'alimentation de ce produit, débranchez le cordon d'alimentation de la prise murale. Assurez-vous de débrancher l'appareil si vous n'avez pas l'intention de l'utiliser pendant une période prolongée, comme des vacances.
8. Conservez ce manuel dans un endroit sûr pour consultation future.



## Présentation du produit

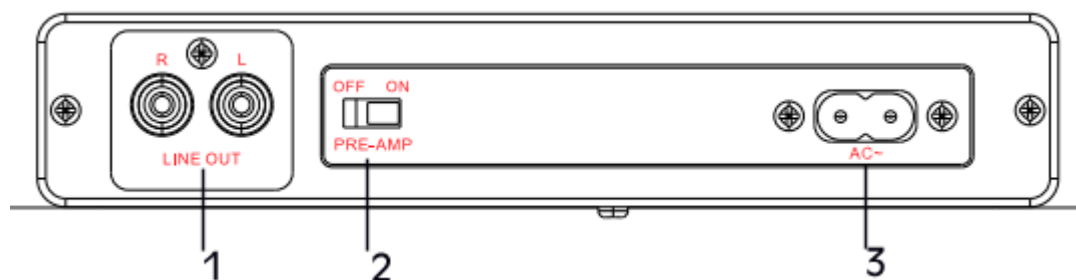
### Vue du dessus



#	OBJET	DESCRIPTION
1	Platine	Plateau tournant en alliage d'aluminium.
2	Axe	Placer un disque sur l'axe pour le lancer.
3	Contrepoids	Tourner pour ajuster la pression du Stylus.
4	Contrôle Anti-skating	Turn to adjust the inward tracking forces that occur with certain pick-up when the stylus nears the center of the record.
5	Leve bras de lecture	Poussez vers l'avant et tirez vers l'arrière pour lever et abaisser le bras de lecture.
6	Support bras de lecture	Placez le bras de lecture sur ce support lorsqu'il n'est pas utilisé.
7	Bras de lecture	Maintient le Stylus qui produit le son à partir du disque.
8	* Boutons d'appairage Bluetooth	Appuyez pour lancer la transmission Bluetooth. Le voyant blanc Bluetooth clignote lentement. Attendez 5 secondes, appuyez à nouveau pour démarrer l'appairage Bluetooth. Votre platine se couple à des appareils audio (tels que des haut-parleurs Bluetooth, des écouteurs et des récepteurs). L'indicateur Bluetooth blanc clignote rapidement. Lorsque la platine est associée à un haut-parleur Bluetooth, le voyant blanc reste allumé.
9	Switch Sélecteur de vitesse	Tournez pour sélectionner le type d'enregistrement (33 ou 45) ou OFF pour éteindre votre platine. (OFF par défaut)

10	Indicateur de Statut	Veille Bluetooth : la LED blanche clignote lentement Appairage Bluetooth : la LED rouge et blanche clignote rapidement. Bluetooth appairé : LED blanche fixe. Bluetooth échec appairage : LED rouge fixe.
11	Stylus	Génère le son à partir d'un disque.

## Vue arrière



#	OBJET	DESCRIPTION
1	Sortie Line out	Branchez le câble RCA inclus dans ce connecteur. Assurez-vous que le rouge soit sur le rouge et que le blanc soit sur le blanc.
2	Switch PRE-AMP Marche/Arrêt	Assurez-vous que le bouton du préampli soit sur "ON" pour la connexion "LINE IN". Pour la connexion "PHONO", le commutateur pré-amp sera commuté sur "OFF". Un réglage incorrect du commutateur PRE-AMP entraînera une absence de son ou un son explosif.
3	Alimentation AC	Brancher le cordon d'alimentation AC.

## Installation de votre platine vinyle

Vous devez installer la platine vinyle avant de pouvoir l'utiliser.

- Sortez les accessoires du carton et vérifiez que les accessoires soient complets et en bon état.

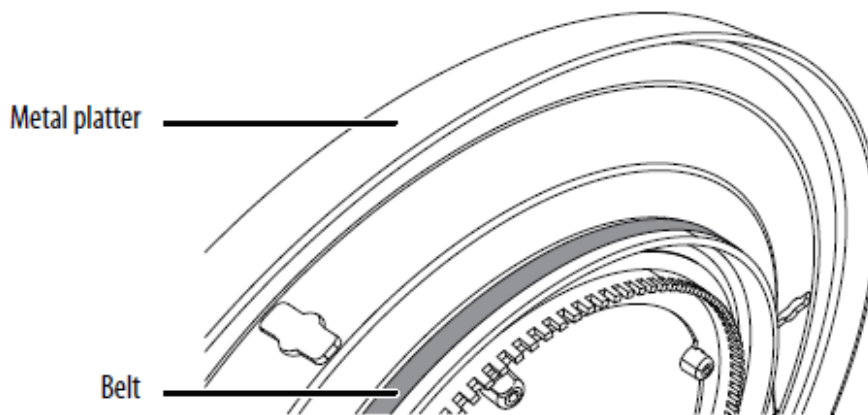
#	Accessoire	Quantité
1	Cable RCA	1 pc
2	Cable Alimentation	1 pc
3	Contrepoids	1 pc
4	Adaptateur 45 Tours	1 pc
5	Couvre plateau	1 pc
6	Courroies	2 pcs (une installée et une supplémentaire)
7	Mode d'emploi	

- Installez le plateau métallique (la courroie est préinstallée au bas du plateau métallique) et le couvre plateau sur le plateau métallique.

3. Installez le capot de protection.
4. Fixez et ajustez le contrepoids.
5. Retirez soigneusement le ruban adhésif. Trop de force endommagera le couvercle et le stylet.

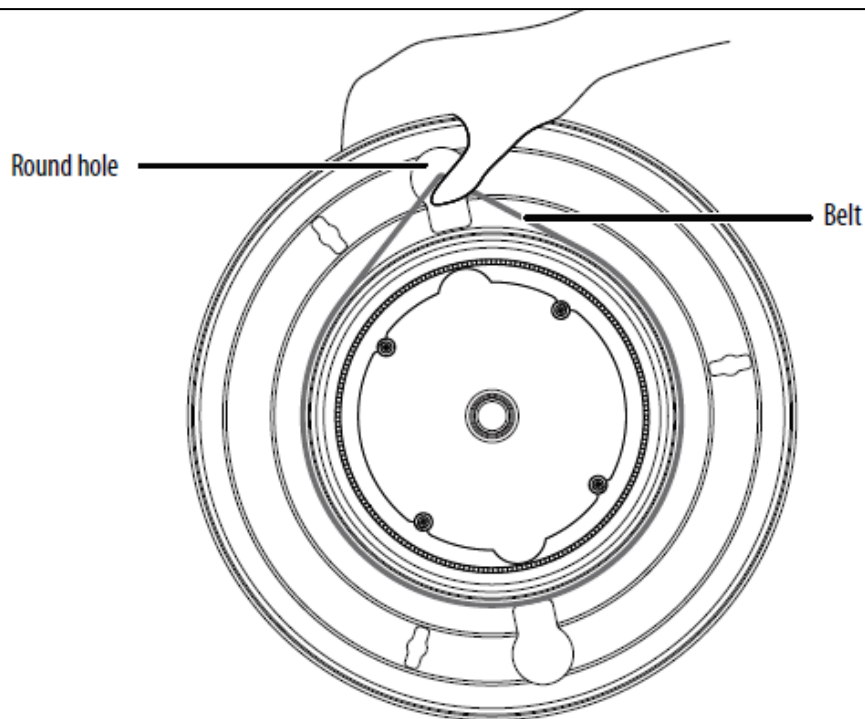
## Installation du plateau et du couvre plateau

**Note :** La courroie (Belt) est préinstallée sous le plateau (Metal platter).



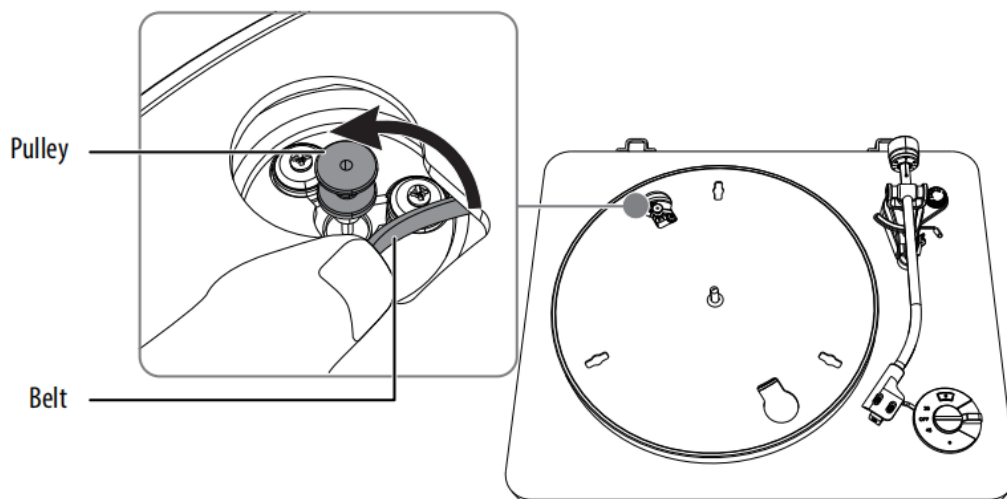
1. Assurez-vous que la courroie n'est pas tordue, puis utilisez votre pouce pour étirer la courroie jusqu'à ce qu'elle atteigne le trou rond du plateau (Round hole).

**Note :** Assurez-vous de placer la courroie sur le rail métallique et non sur une section avec des dents.



2. En tenant toujours la courroie, retournez le plateau, puis insérez le plateau sur l'axe au centre de votre platine.

3. Alignez le trou rond du plateau avec la poulie et utilisez votre doigt pour accrocher la courroie sur la poulie.

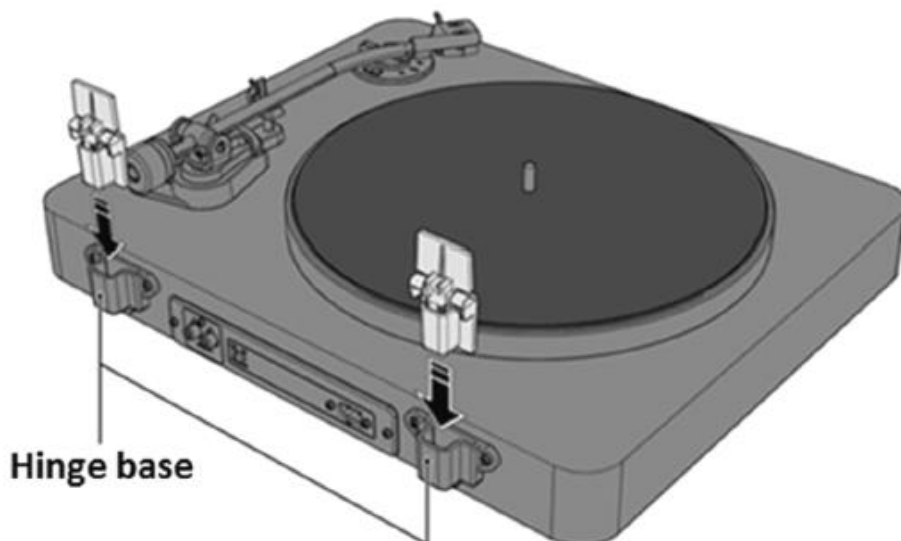


4. Placez le couvre plateau sur le plateau.

**Note :** Lorsque vous souhaitez retirer le plateau de la platine, retirez d'abord le couvre plateau, puis saisissez le plateau et tirez-le vers le haut. Ceci est particulièrement important si vous expédiez votre platine pour éviter que le plateau ne soit secoué.

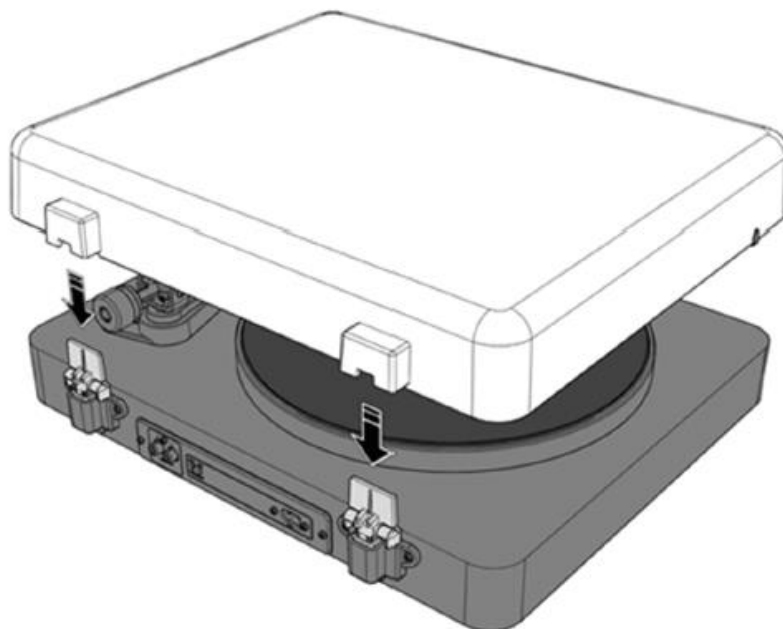
## Installation du capot de protection

1. Insérez les charnières du capot de protection anti poussière dans les bases de charnière sur l'arrière de l'appareil (Hinge base).



2. Tenez le capot anti-poussière et insérez-le dans les charnières.

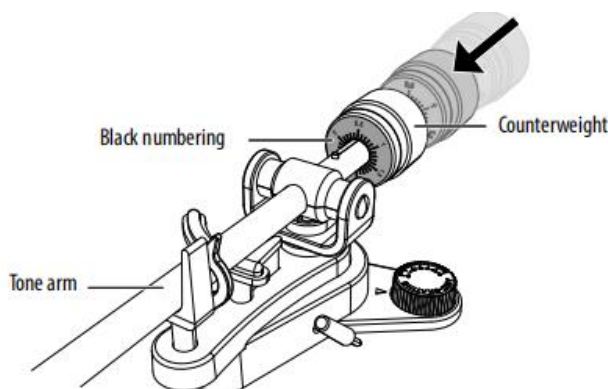
**Note :** Pour retirer le capot anti-poussière, saisissez les deux côtés du capot et soulevez lentement vers le haut pour retirer le capot avec les charnières.



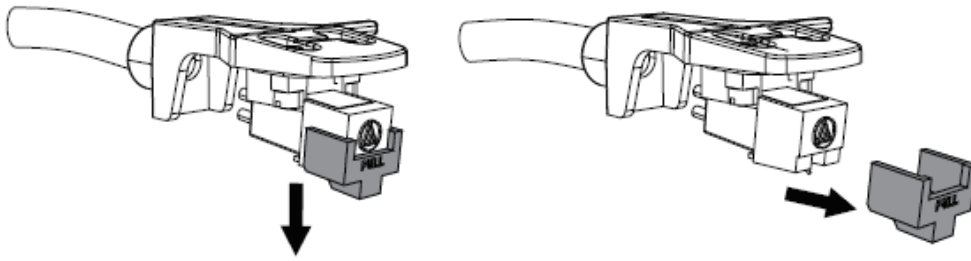
## Fixation et réglage du contrepoids

Le contrepoids sur le bras de lecture ajuste la pression du Stylus. Si la pression est trop forte, le son sera déformé. Si la pression est trop faible, un saut de piste se produira plus fréquemment.

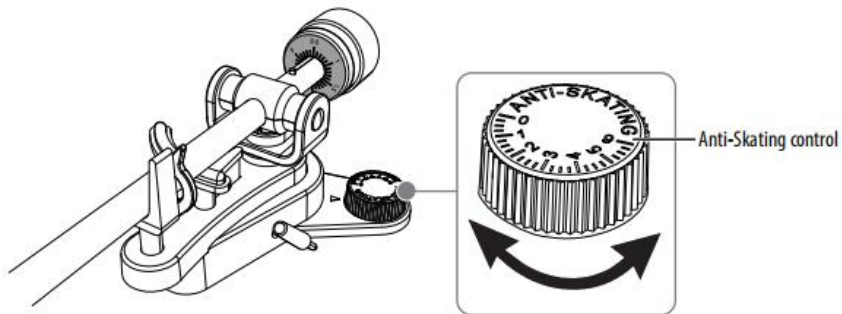
1. Tenez le contrepoids par l'anneau numéroté noir orienté vers vous, puis poussez légèrement le contrepoids dans l'extrémité du bras de lecture. Lorsque vous entendez le deuxième clic de la broche pogo sur le bras de lecture, le contrepoids a été installé correctement.



2. Retirez la protection du Stylus.

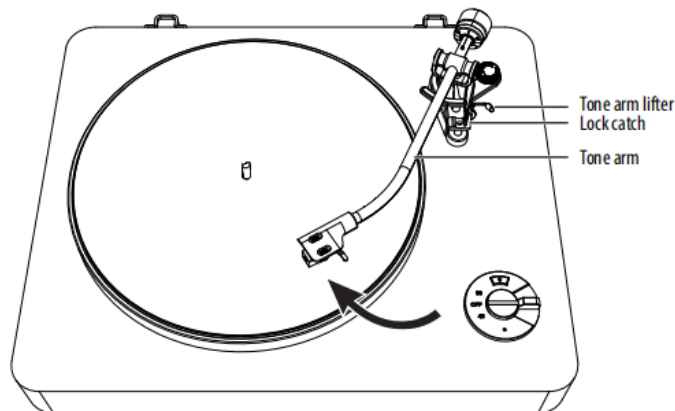


3. Réglez la commande **Anti-Skating** sur **0** (zéro).

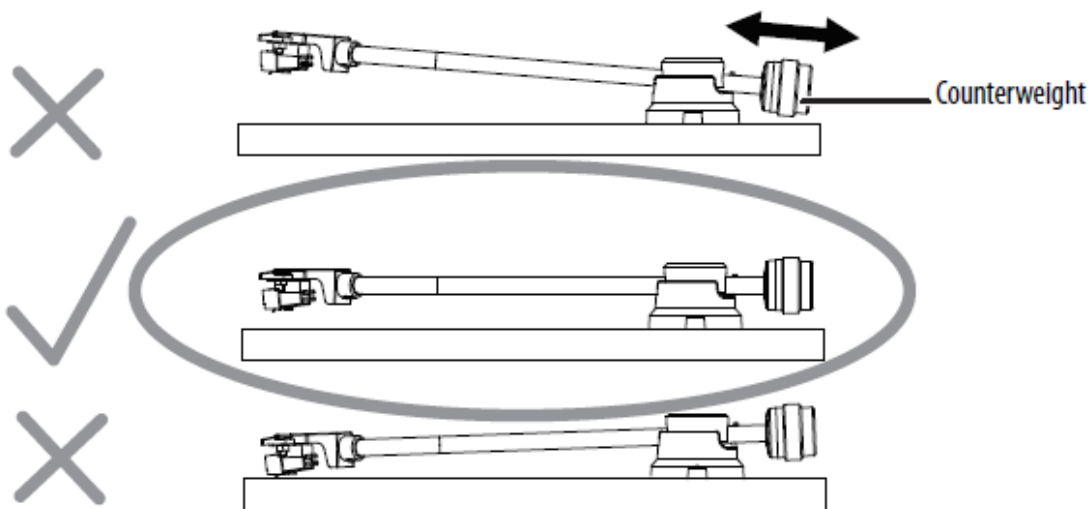


4. Relâchez le loquet de verrouillage, poussez le lève bras de lecture vers l'avant afin que le bras de lecture quitte la base, puis poussez le bras de lecture vers la gauche jusqu'à ce qu'il soit une position au-dessus du plateau.

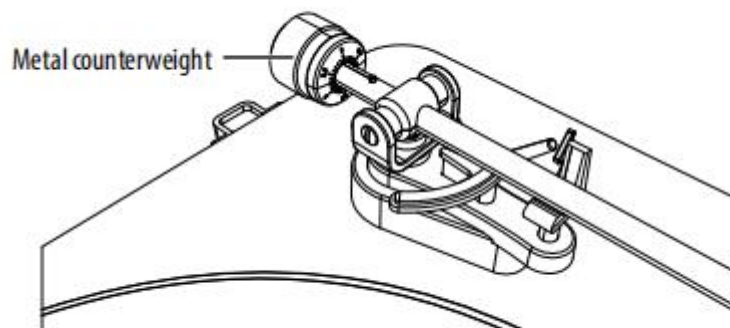
**ATTENTION** : Assurez-vous que le Stylus n'entre pas en contact avec aucune partie de votre platine.



5. Tournez le contrepois de manière à ce que le bras de lecture soit horizontal. Vous pouvez déplacer le contrepois vers l'avant ou vers l'arrière sur le bras de lecture.

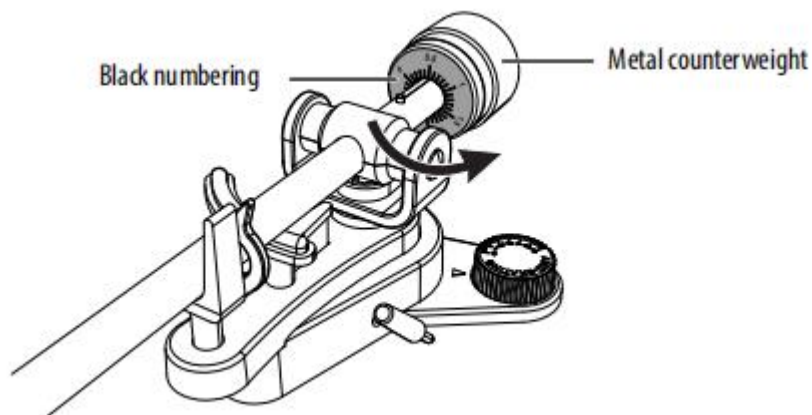


6. Tenez le contreponds métallique à l'arrière du bras de lecture.



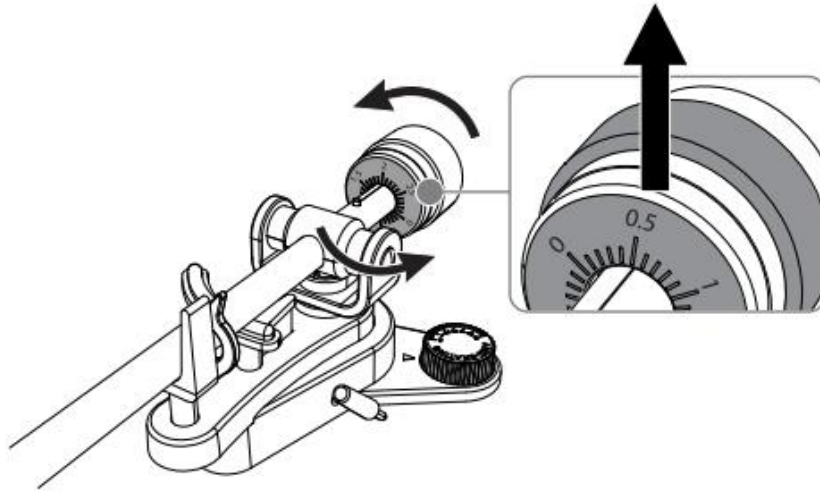
7. Maintenez le contreponds en métal pour l'empêcher de bouger, puis faites pivoter avec précaution l'anneau numéroté noir de façon à ce que le 0 soit placé en position 12 heures.

**Note :** Ne tournez pas le contreponds métallique. L'anneau numéroté noir tourne séparément.



8. Maintenez ensemble le contreponds en métal et l'anneau numéroté noir. Faites tourner dans le sens inverse des aiguilles d'une montre d'un cercle complet, puis régler l'anneau sur 0.5 afin que 0.5 sur le cadran soit en position 12 heures. Cela définit le réglage à  $3.5 \pm 0.5$

grammes de force vers le bas (le poids de suivi recommandé) pour ce Stylus.



## Utilisation de votre platine Vinyle

Branchez l'extrémité adéquate du cordon d'alimentation dans la prise d'alimentation à l'arrière de la platine, puis branchez l'autre extrémité dans une prise de courant.

**Note:**

1. Nous vous recommandons fortement de faire fonctionner votre platine vinyle uniquement à partir du type de source d'alimentation indiqué sur l'étiquette du produit.
2. Pour éviter les interférences, évitez de regrouper les câbles de raccordement audio avec le cordon d'alimentation secteur.
3. Le capot supérieur empêche la poussière de se déposer sur votre platine. Nous vous recommandons d'utiliser le capot supérieur lorsque vous écoutez des disques ou lorsque vous n'utilisez pas votre platine.

## Lecture d'un disque

1. Ouvrez délicatement le capot supérieur anti poussière.

**Note :** Veillez à ne pas vous pincer les doigts lors de l'ouverture ou de la fermeture du capot supérieur.

2. Placez un disque vinyle sur la platine.

**Note :** Pour la lecture d'un disque 45t, utilisez le centreur fourni.

3. Choisissez la Vitesse de lecture appropriée 33 ou 45 à l'aide du sélecteur.
4. Retirez le loquet de verrouillage du repose-bras de lecture pour le libérer.
5. Poussez le lève-bras de lecture vers l'avant pour lever le bras de lecture.
6. Poussez doucement le bras de lecture vers la gauche sur la platine.



7. Poussez le lève-bras de lecture vers l'arrière pour abaisser le bras de lecture afin que le Stylus touche le disque et commence la lecture .

8. Pour mettre en pause ou arrêter la lecture, poussez le lève-bras de lecture vers l'avant pour lever le bras de lecture.

**Note :** Lorsque la fin de l'enregistrement est atteinte, le bras de lecture et la rotation s'arrêtent.

9. Lorsque la lecture est terminée, poussez le lève bras de lecture vers l'avant pour lever le bras de lecture, puis ramenez le bras vers le repose bras de lecture. Poussez le lève bras de lecture vers le bas pour abaisser le bras de lecture.

**Notes :**

1. La fermeture du capot supérieur permet d'éviter que la poussière ne se dépose sur la platine.
2. Verrouillez toujours le loquet du bras de lecture avant de transporter votre platine.
3. Ne placez rien sur le capot de la platine, surtout pendant la lecture d'un disque.

### **Ecoute avec des Enceintes Mitchell Acoustics uStream Bluetooth**

1. Tournez le commutateur sur 33t ou sur 45t.
2. Mettez vos enceintes Bluetooth en mode appairage.

**Note :** Assurez-vous que le Bluetooth est désactivé sur tous les appareils à proximité qui se connecteront automatiquement à votre enceinte.

3. Sur la platine, appuyez et maintenez le bouton (Bluetooth pairing) pendant deux secondes pour allumer l'émetteur Bluetooth. Le voyant blanc clignote lentement.
4. Attendez 5 secondes, appuyez à nouveau sur le bouton Bluetooth pour rechercher votre enceinte Bluetooth. Pendant la recherche, l'indicateur Bluetooth clignotera rapidement. Lorsqu'il est connecté avec succès, le voyant Bluetooth sera fixe.

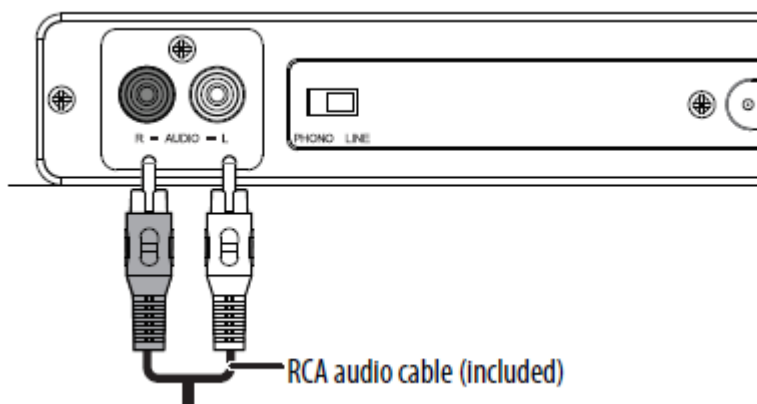
**Notes:**

1. La distance effective entre votre appareil Bluetooth et votre platine est de 10 mètres.
2. Assurez-vous de supprimer tout obstacle entre votre enceinte Bluetooth et votre platine pour vous assurer une restitution optimale.

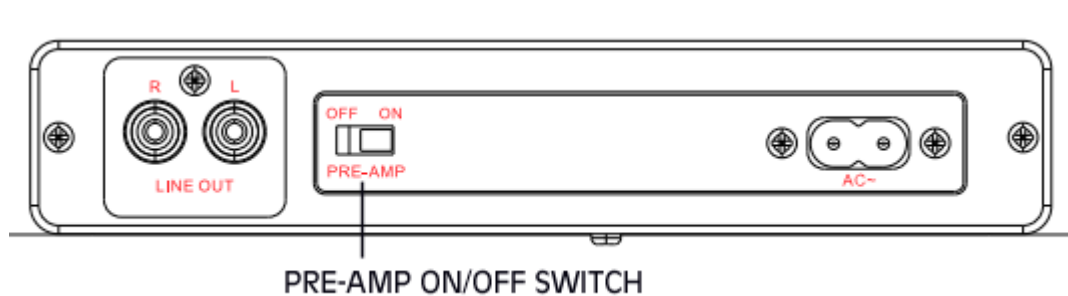
5. Pour réinitialiser le Bluetooth, maintenez le bouton enfoncé pendant 10 secondes jusqu'à ce que les voyants d'état s'éteignent.

### **Ecoute depuis les connecteurs Line out**

1. Brancher les connecteurs rouge et blanc du câble RCA aux connecteurs **Line out** à l'arrière de votre platine, rouge sur rouge et blanc sur blanc.



2. Branchez l'autre extrémité du câble à votre amplificateur ou à vos enceintes active, rouge sur rouge et blanc sur blanc.
3. Réglez le commutateur PRE-AMP ON/OFF pour choisir le mode de sortie.



Appareil connecté	Position du commutateur
Appareil avec entrée PHONO	OFF
Appareil sans entrée PHONO	ON

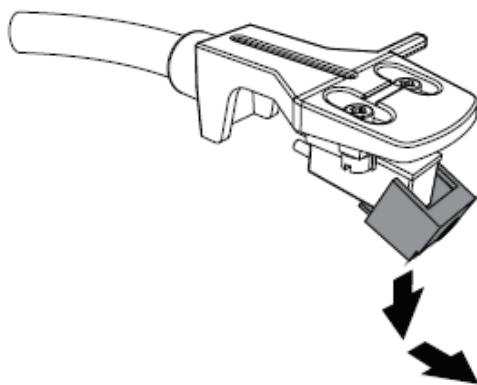
**Note:**

1. Un mauvais réglage du commutateur PRE-AMP ON/OFF entraînera l'absence de son ou un son détérioré.
2. Réglez le volume de l'ampli/enceinte active lorsque vous utilisez le câble RCA.

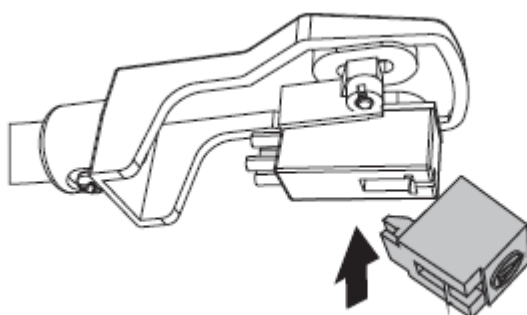
## Remplacer le Stylus

Le Stylus a une durée de vie d'environ 300 heures en utilisation normale. Cependant, il est recommandé de remplacer le Stylus dès que vous remarquez un changement dans la qualité de la restitution sonore. L'utilisation prolongée d'un stylet usé peut endommager le disque.

1. Tournez le sélecteur RPM sur OFF pour couper l'alimentation.
2. Retirez le Stylus en le tirant vers le bas et vers l'avant en même temps.



3. Insérez le nouveau Stylus vers le haut dans la fente sous la tête, puis poussez vers le haut jusqu'à ce que la pointe se verrouille à sa place.



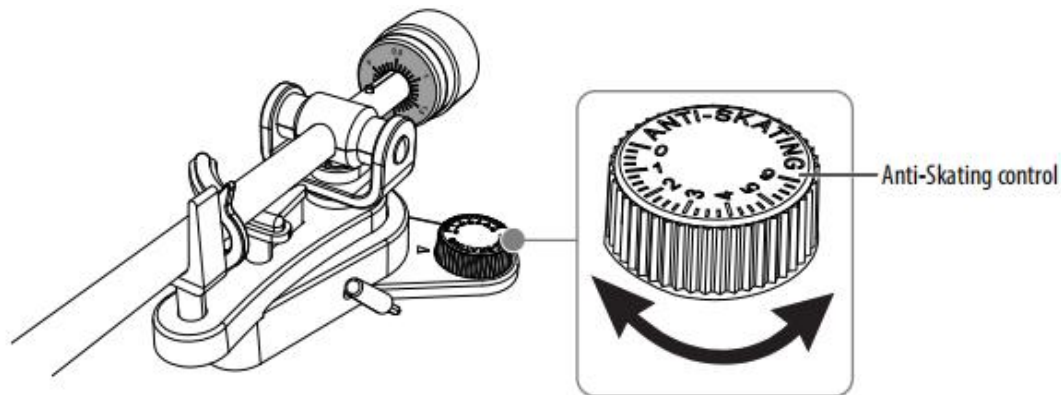
#### **PRÉCAUTIONS :**

1. Ne retirez pas et ne pliez pas le Stylus.
2. Ne touchez pas l'aiguille afin d'éviter de vous blesser la main.
3. Tenir hors de portée des enfants.

## **Réglage de la commande anti-skating**

Lorsqu'un disque est en cours de lecture, une petite force vers l'intérieur (peut provoquer un patinage) tire le bras de lecture vers le centre du disque. Pour contrer cette force vers l'intérieur, vous pouvez régler la commande anti-skating pour appliquer une force vers l'extérieur (anti-skating).

Normalement, vous devez régler la compensation anti-skating sur son réglage minimum. Si le plateau tournant subit des sauts excessifs à l'approche de l'axe central, essayez d'augmenter l'antiskating. Commencez par ajouter un incrément de 1, puis testez ses performances. Si nécessaire, vous pouvez augmenter et tester d'un incrément à la fois.



**Notes:**

1. Lorsque vous ajustez le bouton **Anti-Skating**, laissez le bras de lecture et le poids d'équilibrage seuls pour éviter d'endommager la pointe du Stylus.
2. Si un disque ne peut pas lire des pistes entières, nous vous recommandons de réinitialiser la commande anti-skating sur **0** (zéro).
3. En cas d'utilisation importante de back-cueing, de scratching ou de lecture en sens inverse, vous préférerez peut-être utiliser moins ou pas de compensation anti-skating.

## Profiter de votre expérience sonore

La pression de la pointe a un impact sur votre expérience sonore et est contrôlée par le contrepois. Vous pouvez l'ajuster en fonction de vos préférences personnelles. Réduisez-le pour faire ressortir les basses riches de vos sélections musicales ou augmentez-le pour faire ressortir des fréquences plus élevées. Voir aussi Fixation et réglage du contrepois.

**Note:**

Après avoir réglé le contrepois, vous devrez peut-être régler la force antiskating. Voir Réglage de la commande antiskating.

## Spécification :

### GENERAL

Alimentation..... AC 230 V ~ 50 Hz  
Consommation d'énergie..... 5 W  
Dimensions (L x H x P) .....43.9cm x 35.5cm x 13.4cm (approx.)

### TRANSMISSION BLUETOOTH

Version Bluetooth..... Bluetooth V4.2  
Profils Bluetooth ..... A2DP, AVRCP  
Plage de Fréquence Bluetooth..... 2.402GHz-2.480GHz  
Distance Opérationnelle..... 10 mètres

### Section TOURNE DISQUE

Moteur.....Servo Moteur DC  
Système d'entraînement.....Courroie  
Vitesses.....33-1/3 tours, 45 tours  
Wow Flutter.....Moins de 0.25% (WTD)  
Ratio S/N.....55 dB  
Type de Cellule..... Moving Magnetic (MM)  
Sortie RCA..... 200-280 mV (5 cm/sec à 1 KHz-10dB)  
Sortie Phono..... 3-4mv ((5 cm/sec à 1 KHz-10dB)

## Guide de Dépannage

En cas de problème avec l'appareil, veuillez-vous référer au guide ci-dessous et voir si vous pouvez résoudre le problème par vous-même avant d'appeler votre revendeur.

Problème	Solution
Ma platine ne s'allume pas	<ul style="list-style-type: none"><li>Assurez-vous que le cordon d'alimentation est connecté à votre platine et à une prise de courant en état de marche.</li></ul>
Ma platine fonctionne, mais je n'entends pas la musique.	<ul style="list-style-type: none"><li>L'appareil n'a pas de haut-parleur intégré. Assurez-vous que votre platine soit connectée à un appareil audio externe (à l'aide d'une connexion Bluetooth ou d'un câble RCA).</li></ul>
Je n'entends pas le son des enceintes.	<ul style="list-style-type: none"><li>Augmentez le volume sur le périphérique externe.</li><li>Si vous utilisez les prises RCA, assurez-vous que le câble RCA soit correctement et solidement connecté.</li></ul>
J'entends un son avec des parasites.	<ul style="list-style-type: none"><li>Éteignez les appareils (comme une TV) situé à proximité.</li><li>Éloignez votre platine des appareils situés à proximité.</li></ul>
Ma platine est allumée mais ne répond pas.	<ul style="list-style-type: none"><li>Retirez le cordon d'alimentation et tous les périphériques d'alimentation, attendez une minute, puis rebranchez votre platine à la prise de courant.</li></ul>
Le son est parasité pendant un certain temps lorsque j'utilise ma platine.	<ul style="list-style-type: none"><li>Remplacez the Stylus.</li></ul>
Un disque ne tient pas sur l'axe.	<ul style="list-style-type: none"><li>Assurez-vous que le disque soit bien un 33t ou un 45t. Votre platine n'est pas compatible avec les 78t.</li><li>Si vous écoutez un 45t, utiliser le centreur 45t inclus.</li></ul>
Ma platine ne s'appaire pas avec une enceinte Bluetooth.	<ul style="list-style-type: none"><li>Maintenez enfoncé le bouton (appairage Bluetooth) pendant deux secondes pour vous assurer que votre platine soit en mode émission.</li><li>Assurez-vous que votre enceinte Bluetooth soit allumé et en mode appairage Bluetooth. Consultez les instructions fournies avec votre appareil Bluetooth.</li><li>Approchez votre enceinte Bluetooth de votre platine.</li></ul>
L'appairage Bluetooth a échoué.	<ul style="list-style-type: none"><li>Assurez-vous que votre enceinte Bluetooth ne soit pas connecté à un autre appareil Bluetooth. Si elle est connectée à un autre appareil, éteignez l'appareil ou supprimez le nom de la connexion Bluetooth de la liste des appareils de votre enceinte.</li><li>Assurez-vous que votre enceinte Bluetooth utilise bien la réception certifiée BQB.</li></ul>
Le Bluetooth ne peut pas se reconnecter	<ul style="list-style-type: none"><li>Maintenez enfoncé le bouton (appairage Bluetooth) pendant 10 secondes, éteignez votre platine, puis rallumez-la et redémarrez l'appairage normalement.</li></ul>
Il n'y a pas de son après une connexion Bluetooth réussie.	<ul style="list-style-type: none"><li>Assurez-vous que le disque tourne correctement. Le Stylus fonctionne.</li><li>Vérifiez que le volume de l'enceinte Bluetooth appairé soit activé et réglez-le sur le volume approprié.</li></ul>

